

advanced FLOW engineering Magnum FORCE Stage-2 Cold Air Intake System

Instruction Manual P/N: 54-12902D/ 54-12902R

Make: Chevrolet Model: Silverado HD Year: 2017-2019 Engine: V8-6.6L Duramax (L5P)
Make: GMC Model: Sierra HD Year: 2017-2019 Engine: V8-6.6L Duramax (L5P)



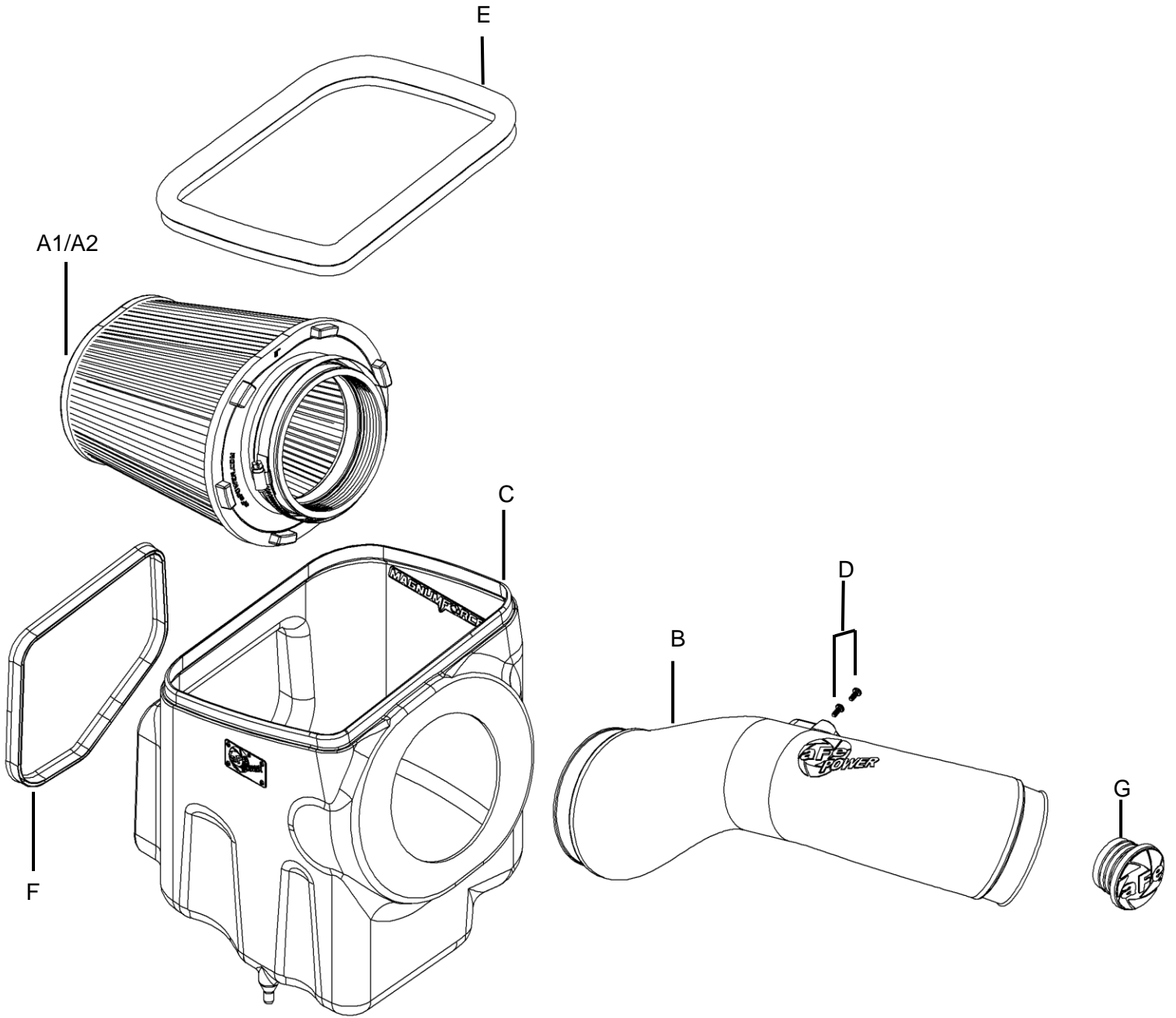
- Please read the entire instruction manual before proceeding.
- Ensure all components listed are present.
- If you are missing any of the components, call customer support at 951-493-7100.
- Ensure you have all necessary tools before proceeding.
- Do not attempt to work on your vehicle when the engine is hot.
- Disconnect the negative battery terminal before proceeding.
- Retain factory parts for future use.

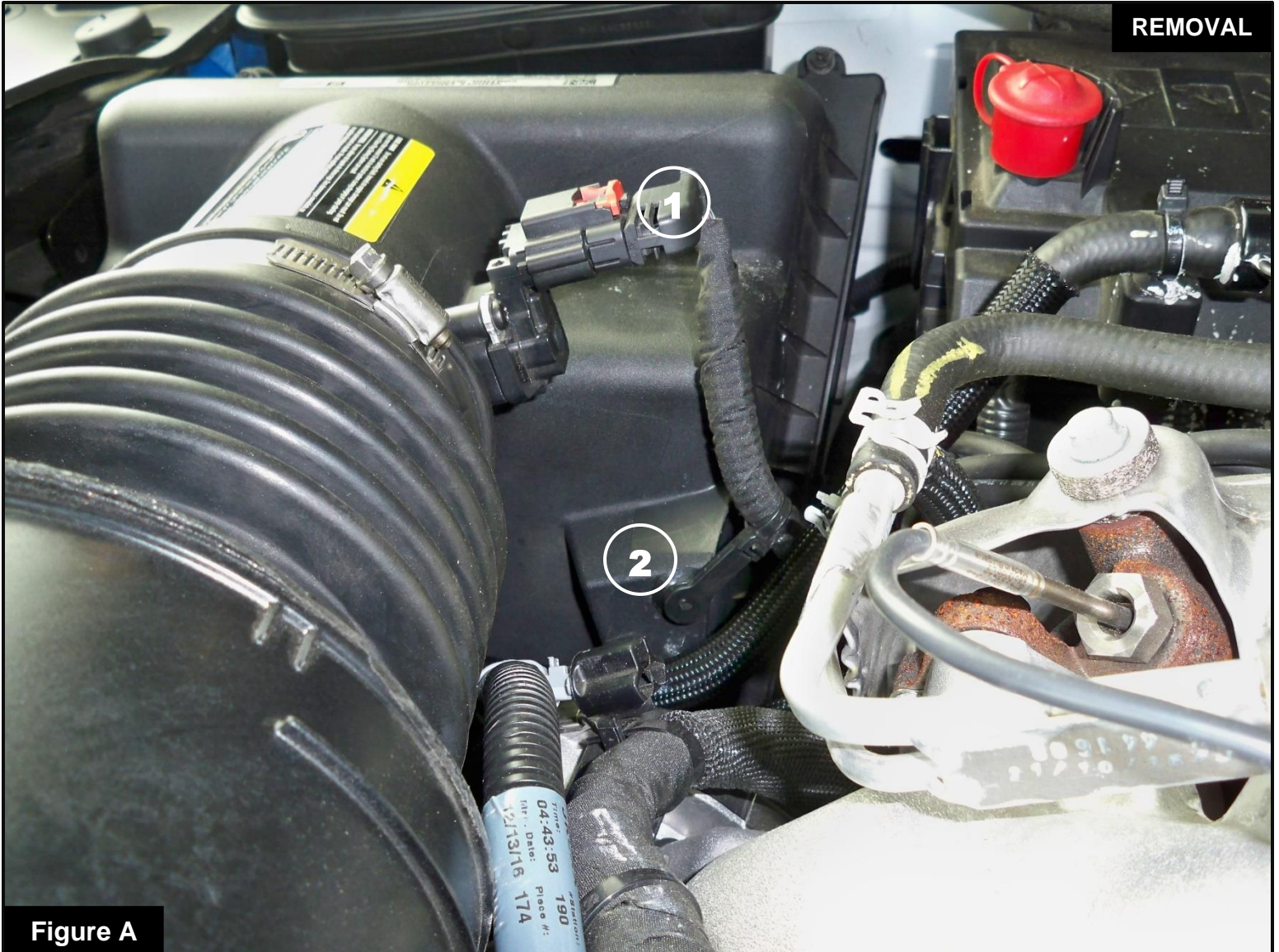
Label	Qty.	Description	Part Number
A1	1	Air Filter (Pro 5R)	24-91120
A2	1	Air Filter (Pro DRY S)	21-91120
B	1	Tube	05-12902B1
C	1	Housing	05-5412902B2
D	2	Screw, Torx: M4	03-50491
E	1	Seal, Trim: 3/4" Bulb (37"L)	05-01507
F	1	Seal, Trim: 7/16" Bulb (26"L)	05-00072
G	1	Plug	05-00850

Installation will require the following tools:

T20 Torx driver, 8mm nut driver, 13mm deep socket, extension and driver.

Emissions Disclaimer: This product is not currently CARB exempt and is not available for purchase in California or for use on any vehicle registered with the California Department of Motor Vehicles.



**Figure A****Refer to Figure A for Steps 1-2**

Step 1: Disconnect the MAF sensor ①.

Step 2: Disconnect the MAF sensor harness clip ② from the OE housing.

**Figure B****Refer to Figure B for Steps 3-4**

Step 3: Using an 8mm nut driver, loosen the hose clamps at the housing ③ and the resonator coupling ④.

Step 4: Remove the stock intake tube ⑤.

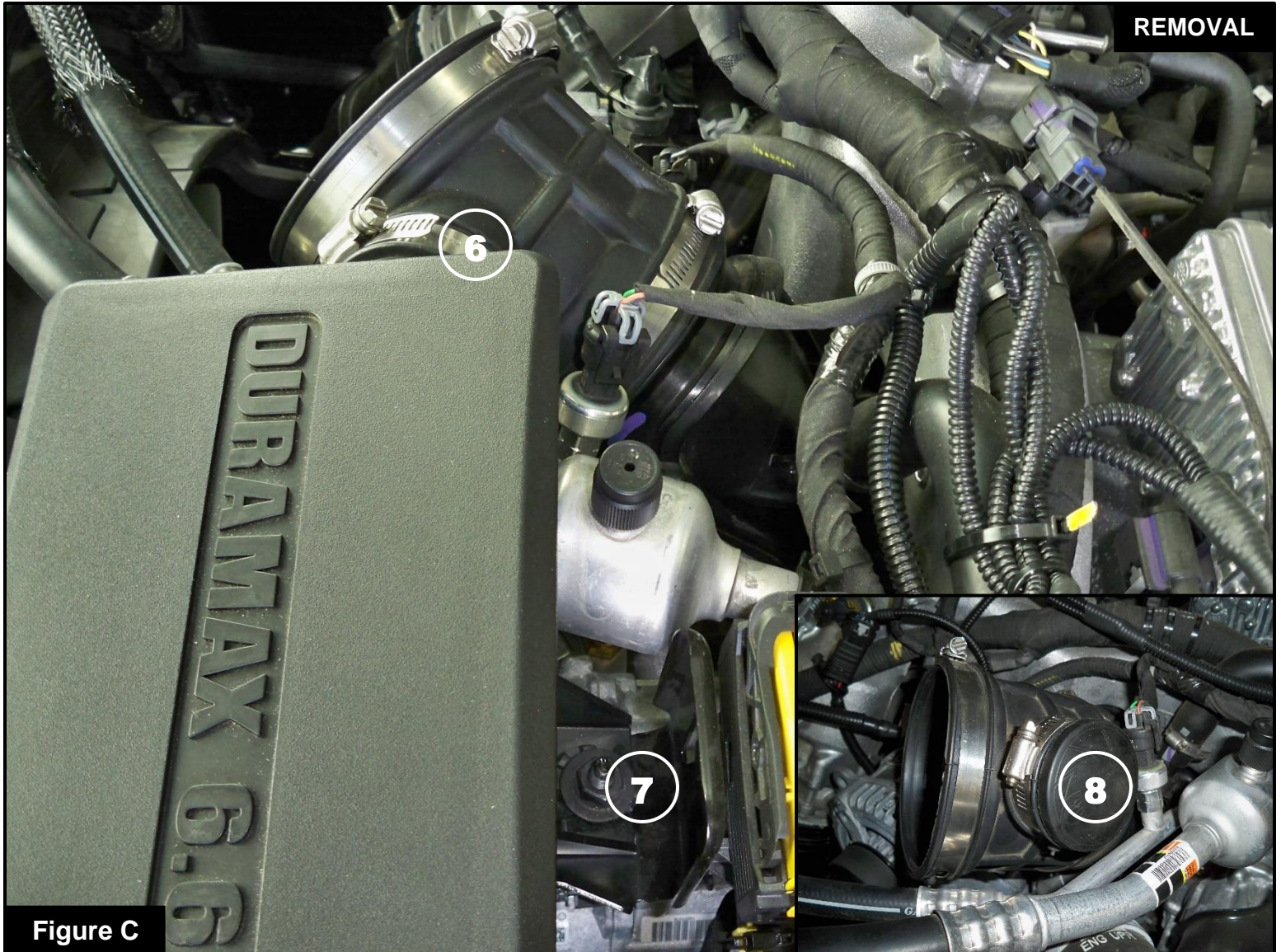


Figure C

Refer to Figure C for Step 5

Step 5: If you wish to remove the resonator, loosen the clamp (6) at the resonator/coupling with an 8mm nut driver. Using a 13mm deep socket, extension and driver, remove the nut (7) holding the resonator. Remove the resonator from the stock coupling. Insert the resonator plug (8) into the stock coupling and tighten the clamp.

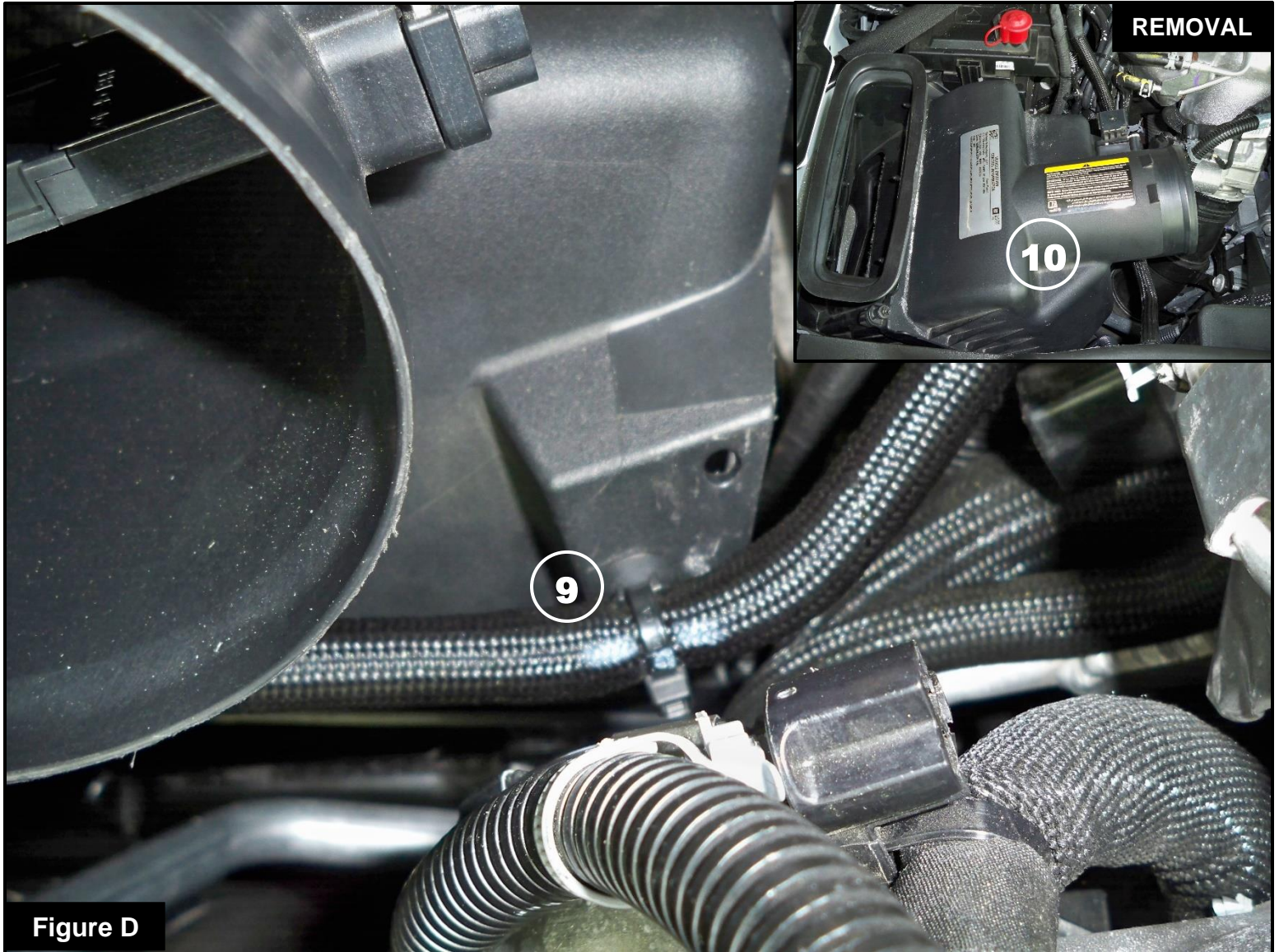


Figure D

Refer to Figure D for Step 6

Step 6: Remove the coolant line clip (9) from the housing then remove the factory housing (10) out of the vehicle. (Use an upward pull to release the retaining plug).

**Figure E****Refer to Figure E for Steps 7-8**

Step 7: Remove the retaining plug (11) from the bottom of the factory housing and transfer it to the aFe POWER housing.

Step 8: Install the 7/16" bulb trim seal (12) on the side opening of the aFe POWER housing.



Figure F

Refer to Figure F for Steps 9-10

Step 9: Install the 3/4" bulb trim seal trim (13) on the top opening of the aFe POWER housing as shown.

Step 10: Install the aFe POWER housing assembly into the vehicle. Firmly push the housing into the factory mounting grommets and make sure it is fully seated.



Refer to Figure G for Step 11

Step 11: Using a T20 Torx driver, remove the MAF sensor (14) from the stock housing and install it on the aFe POWER intake tube using the supplied M4 screws.



Figure H

Refer to Figure H for Step 12

Step 12: Remove the filter clamp (15) from the aFe POWER filter. Slide the aFe POWER filter into the aFe POWER housing from the top. Then guide the filter flange through the round opening in the housing and snap in the filter. Place the filter clamp on the filter flange.



Figure I

Refer to Figure I for Steps 13-14

Step 13: Install the aFe POWER intake tube into the vehicle. Slide the aFe POWER intake tube into the turbo coupling first, then into the air filter.

Step 14: Align the aFe POWER intake tube and clamps correctly, then using an 8mm nut driver tighten all the clamps.

**Figure J****Refer to Figure J for Steps 15-16**

Step 15: Reconnect the MAF sensor ⑯.

Step 16: Check all the components are tight and secure. Your installation is now complete. Thank you for choosing aFe POWER!

NOTE: Check all bolts, clamps, and connectors after 100-200 miles.



Pro DRY S Air Filter



P/N: 21-91120

Pro 5R Air Filter



P/N: 24-91120

Pro-GUARD 7 Air Filter



P/N: 72-91120

Pre-Filter



P/N: 28-10033

Pro DRY S Restore Kit



P/N: 90-59999

Blue Squeeze Restore Kit



P/N: 90-50501

Gold Squeeze Restore Kit



P/N: 90-50500

SCORCHER BLUE Module



P/N: 77-84010

SCORCHER HD Module



P/N: 77-44010

SPRINT BOOSTER V3



P/N: 77-14003

DPF-Back Exhaust



P/N: 49-44085-B (Blk. Tips)
49-44085-P (Pol. Tips)

DPF-Back Exhaust



P/N: 49-44086-B (Blk. Tips)
49-44086-P (Pol. Tips)

To purchase any of the items above, view airflow charts, dyno graphs, photos, and video; please go to aFepower.com.



Warranty

General Terms:

- aFe warrants their products to be free from manufacturer's defects due to workmanship and material.
- This warranty applies only to the original purchaser of the product and is non-transferrable.
- Proof of purchase of the aFe product is required for all warranty claims.
- Warranty is valid provided aFe instructions for installation and/or cleaning were properly followed.
- Proper maintenance with regular inspections of product is required to insure warranty coverage.
- Damage due to improper installation, abuse, unauthorized repair or alteration is not warranted.
- Incidental or consequential damages or cost, including installation and removal of part, incurred due to failure of aFe product is not covered under this warranty.
- All warranty is limited to the repair and/or replacement of the aFe part. To request Return Goods Authorization ("RGA"), email RGA@afepower.com or call (951)493-7100. Upon receipt of the RGA, you must return the product to the address provided in the RGA, freight prepaid and accompanied with a dated proof of purchase and the RGA. Upon receipt of the defective product and upon verification of proof of purchase, aFe will either repair or replace the defective product within a reasonable time, not to exceed thirty days.

Product Category	P/N Prefix	Warranty duration
Direct OE Replacement Filters	10, 11, 30, 31, 71, 73	Life of the vehicle
Racing Filters	18	1 year
Universal	20, 21, 23, 24, 72, TF	2 years
Air Intake Systems	50, 51, 53, 54, 55, 56, 57, 58, 75, TR, TA, TL, TM	2 years
Exhaust Systems	49	2 years
Intercoolers & Intercooler Tubes	46-2	2 years
Intake Manifolds	46-1	2 years
Differential Cover	46-7	Life of the vehicle
Exhaust Manifolds	46	2 years
Throttle Body Spacers	46-3	2 years
Turbochargers	46-6	2 years*
Fluid Filters	44	90 days
Pre-Filters	28	2 years
Heavy Duty OE Replacement	70	2 years
PowerSports OE Replacement	81, 87	2 years
PowerSports Intake Systems	85	2 years

No other warranty expressed or implied applies nor is any person or advanced FLOW engineering authorized to assume any other warranty. Some States do not allow the exclusion or limitation of incidental or consequential damages or do not allow limitations on how long an implied warranty lasts, so the above limitations or exclusions may not apply to you. This warranty gives you specific legal rights, and you may also have other rights which vary from State to State.

*See turbocharger warranty for more info



advanced FLOW engineering, inc.

252 Granite Street Corona, CA 92879
TEL: 951.493.7100 • TECH: 951.493.7134
E-Mail: Tech@aFepower.com

P/N: 06-81276