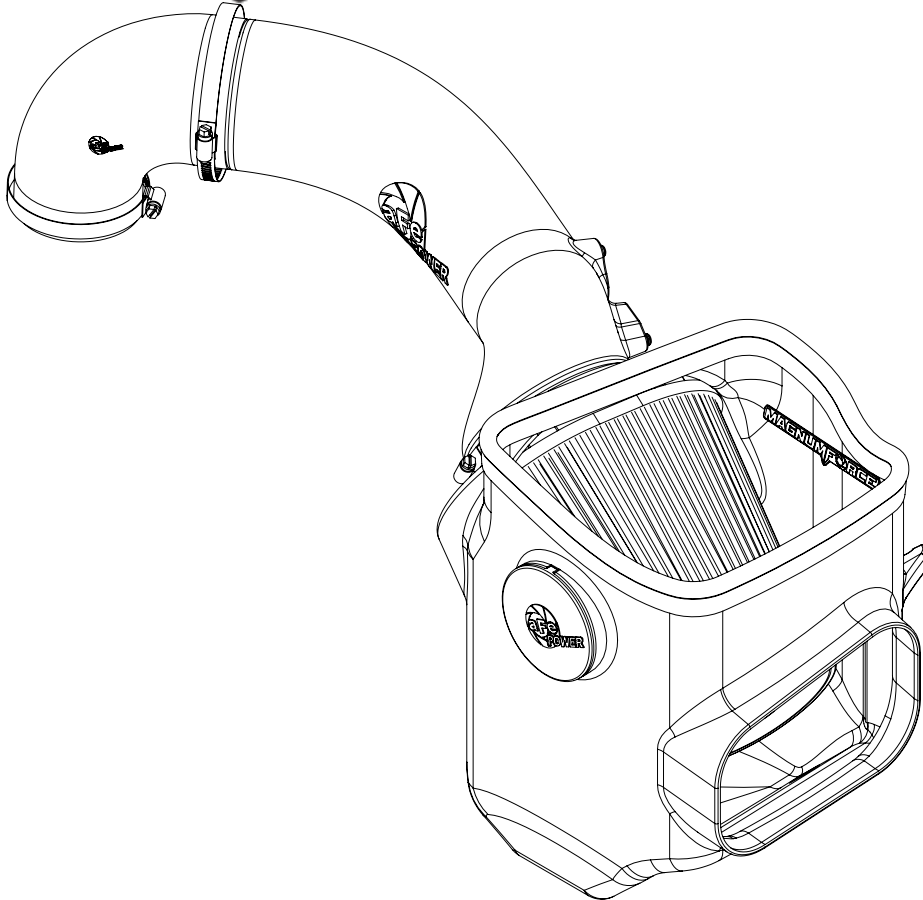


**MAGNUM FORCE**



**advanced FLOW engineering** Magnum FORCE Stage-2 Intake System

**Instruction Manual** P/N: 54-13026D / 54-13026R

Make: **Nissan** Model: **Titan XD** Year: **2016-2019** Engine: **V8-5.0L (td) Cummins**



- Please read the entire instruction manual before proceeding.
- Ensure all components listed are present.
- If you are missing any of the components, call customer support at 951-493-7100.
- Ensure you have all necessary tools before proceeding.
- Do not attempt to work on your vehicle when the engine is hot.
- Disconnect the negative battery terminal before proceeding.
- Retain factory parts for future use.

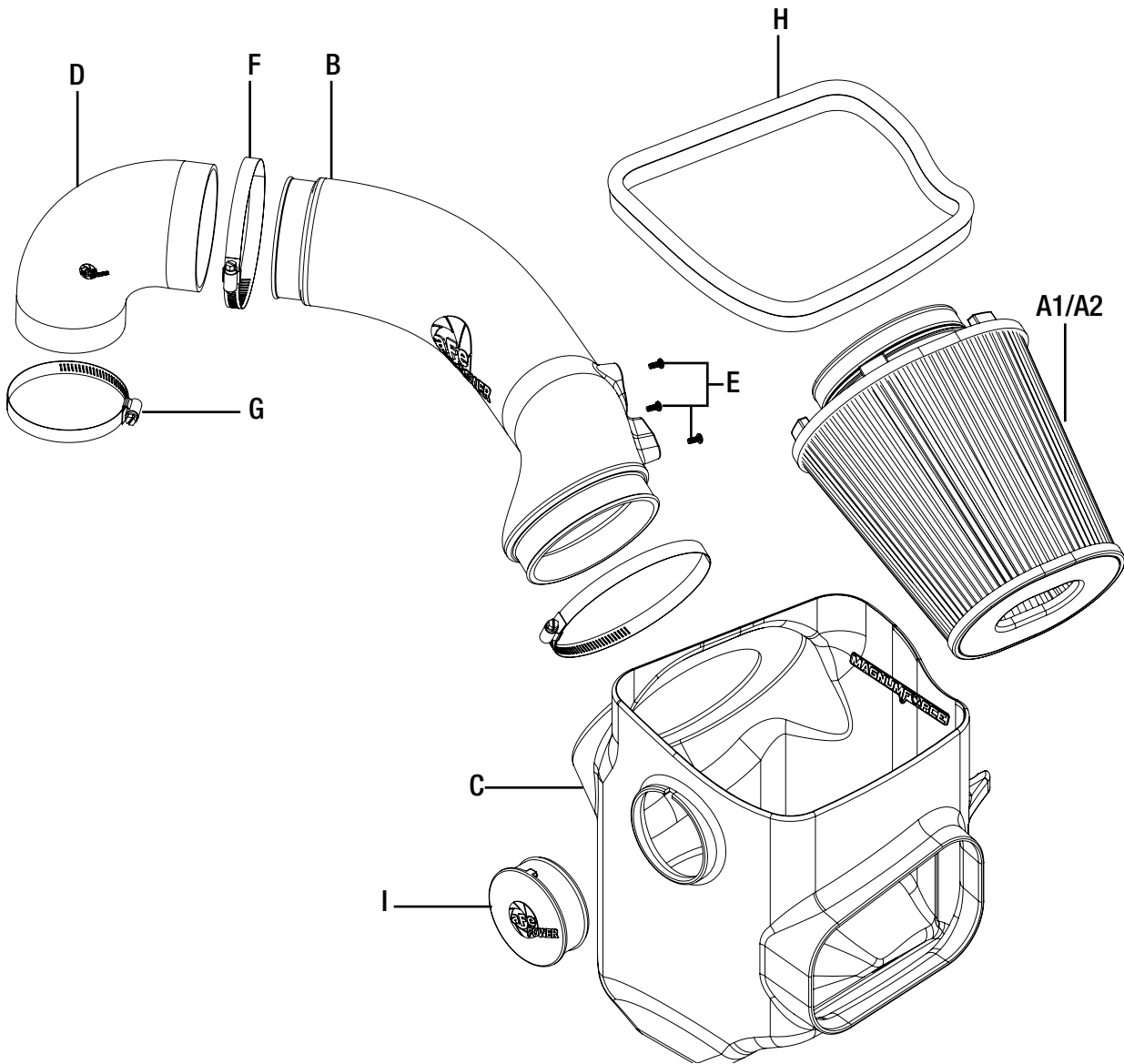
Label	Qty.	Description	Part Number
A1	1	Air Filter (Pro DRY S)	21-91120
A2	1	Air Filter (Pro 5R)	24-91120
B	1	Tube	05-5413026B1
C	1	Housing	05-5413026B2
D	1	Coupling, Silicone Elbow Reducer	05-01402
E	3	Screw, Torx: M4	03-50490
F	1	Clamp, #072	03-50010
G	1	Clamp, #056	03-50009
H	1	Seal, Trim: 3/4" (35 inches)	05-00007
I	1	Plug, Urethane	05-01361

**Tools required for installation:**

8mm & 10mm nut drivers or socket, T20 torx driver and Phillips screwdriver.

Warranty Information available at <https://afepower.com/contact#warranty>

Note: Legal in California for use on race vehicles only. The use of this device on vehicles used on public streets or highways is strictly prohibited in California and others states that have adopted California emission regulations.



**Figure A****Refer to Figure A for Steps 1-2**

Step 1: Disconnect the MAF ① and temperature sensors ② located on the factory airbox.

Step 2: Using an 8mm nut driver, loosen the hose clamp ③ that connects the turbo inlet to the intake tube.



**Figure B**

**Refer to Figure B for Steps 3-4**

Step 3: Unclip the two locking clips ④ located on the side of the factory airbox.

Step 4: Using a 10mm nut driver, remove the screw ⑤ located on the back of the factory airbox and set aside for later use.

**Figure C****Refer to Figure C for Steps 5-6**

Step 5: Remove the factory airbox lid (6) and pull up on the intake tube (7) that's connected to the turbo inlet, remove the complete assembly.

Step 6: Remove the factory air filter from the bottom half of the factory airbox.



Figure D

**Refer to Figure D for Step 7**

Step 7: Using a 10mm nut driver, remove the two screws ⑧ that are located on the bottom of the factory airbox. Remove the factory airbox.



Figure E

**Refer to Figure E for Steps 8-9**

Step 8: Using a Phillips screwdriver, remove the MAF (9) and temperature sensors (10).

Step 9: Install the sensors on the aFe POWER intake tube using the supplied M4 screws with a T20 torx drive.





Figure F

**Refer to Figure F for Steps 10-11**

Step 10: Transfer the two screws with grommets (11) and the grommet with metal insert (12) from the factory airbox to the aFe POWER housing.

Step 11: Install the trim seal (13) onto the aFe POWER housing.

**Figure G****Refer to Figure G for Steps 12-13**

Step 12: Install the aFe POWER housing into the truck using the two screws ⑭ and a 10mm nut driver.

Step 13: Secure the aFe POWER housing with the mounting screw ⑮ removed on Step 4.



Figure H

**Refer to Figure H for Step 14**

Step 14: Remove the filter clamp ⑯ from the aFe POWER filter. Slide the aFe POWER filter into the aFe POWER housing from the top. Then guide the filter flange through the round opening in the housing and snap in the filter. Place the filter clamp on the filter flange.

**Figure I****Refer to Figure I for Steps 15-17**

Step 15: Install the elbow coupling (17) onto the aFe POWER intake tube using the #072 hose clamp (18), then place the #056 hose clamp (19) on the other end of the coupling.

Step 16: Install the aFe POWER intake tube into the air filter.

Step 17: Install the aFe POWER intake tube with coupling onto the turbo inlet (20). Align the intake tube, then tighten down all the hose clamps using an 8mm nut driver.



Figure J

**Refer to Figure J for Step 18**

Step 18: Reconnect both, the MAF ① and temperature sensors ②.

**Figure K****Refer to Figure K for Steps 19-20**

Step 19: Install the urethane plug into the airbox ②③ unless the optional aFe POWER dynamic air scoop (P/N: 54-76105-S) is being install.

Step 20: Check all the components are tight and secure. Your installation is now complete. Thank you for choosing aFe POWER!

**NOTE: Check all bolts, clamps, and connectors after 100-200 miles.**

PAGE LEFT BLANK INTENTIONALLY



**advanced FLOW engineering, inc.**

252 Granite Street Corona, CA 92879

<https://afepower.com/contact>