

## BRACKET KIT

Dodge Cummins 5.9L (1992 to early 1998-12V)

Part # 917373BKT

Before installing your Super Damper, you must install this sensor relocation bracket kit for the sensor and wire extension. **NOTE!** Some early 1st generation 12 valve engines will require the bracket to be modified as shown in Figure 1 for proper sensor clearance. Do not modify the bracket unless you have to!

### Installing the wire extension:

Step 1: Remove the magnetic pick-up and disconnect the wire at the connector.

Step 2: Using diagonal cutting pliers, cut the sensor wire at 2 places on both sides of the connector and set the old male and female connector aside.

**CAUTION: Before cutting wires, be sure to identify each wire so you can re-attach the wires in the same order (ex. ground wire to ground wire).**

Step 3: Install shrink tubing over new wires before attaching connectors. (Optional)

Step 4: Install the 6 waterproof pigtail connectors to each end of the cut wires. Keeping the proper wires in order, attach the new wire connectors to the pigtail connectors by pushing the wires all the way into the connector.

**NOTE: There is no wire stripping required when using these connectors.**

Step 5: Using pliers, clamp down on each pigtail connector to lock the wires in place.

### Installing sensor relocation bracket:

Step 1: Install both threaded hex studs into the lower corner of the engine block on the driver's side of the engine.

Step 2: Using a 13mm wrench, install 2 bolts through the slots of the supplied bracket into the hex studs. Make sure the spacers on the bracket are facing away from the engine.

Step 3: Install the sensor onto the bracket using a 13mm wrench. Tighten 2 bolts (supplied) to secure the sensor to the bracket.

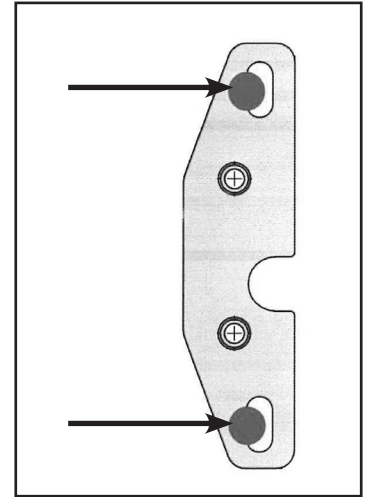
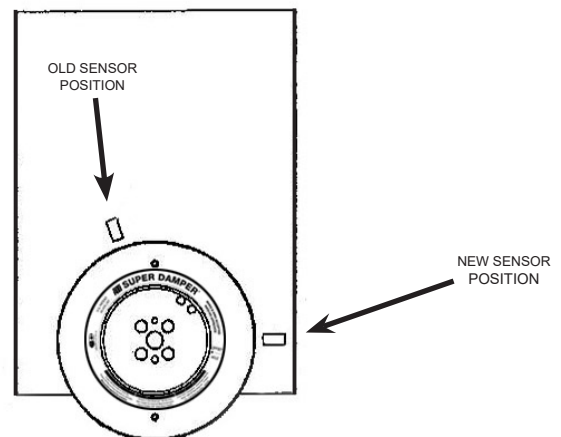
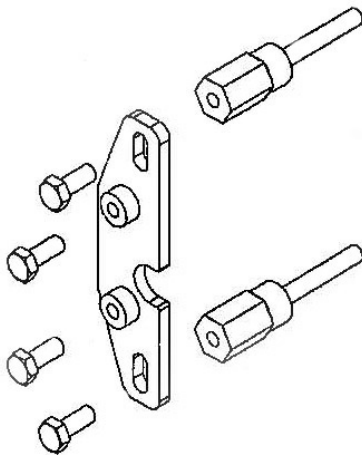


Figure 1 - Some brackets may need to be modified by drilling a 3/8" diameter hole in both bracket slots.



Step 4: Plug new wire connectors together.

Step 5: Install the Super Damper, torque the bolts to the proper torque, and re-adjust the magnetic pick-up to the previously measured gap or to the manufacturer's specifications.