



# INSTALLATION INSTRUCTIONS REMOTE COOLER INSTALL KIT PART # 50020

Please read these instructions completely before starting the installation.

### KIT CONTENTS

QTY.	DESCRIPTION
4	Mounting Brackets
16	1/4"-20 x 3/4" Hex Bolt
40	1/4" Washer
16	1/4"-20 Lock Nut

### TOOLS NEEDED

7/16" Socket & Ratchet  
7/16" Open End Wrench  
Drill  
5/32" Drill Bit

### IMPORTANT

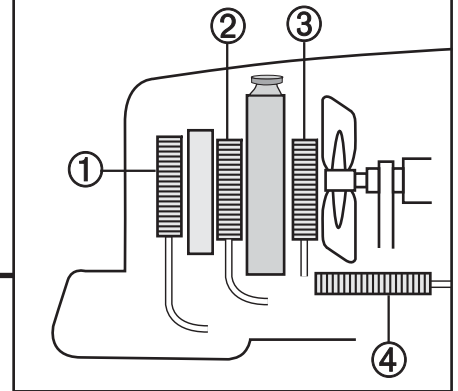
In most cases a rigid mount is sufficient as shown in Diagram #2. For off road and extreme applications, we recommend installing rubber isolators between the Oil Cooler and the Brackets.

### COOLER LOCATION

When selecting the best location for your vehicle, always consider a location that will deliver the maximum airflow. (See Diagram #1)

The Cooler can be mounted in multiple locations on your vehicle. Reference Diagram # 1 for possible cooler positions. #1 is the ideal location, #2 is second best and #4 being the last choice.

### Diagram #1



### BRACKET INSTALLATION

This bracket system is designed to work with Derale Stacked Plate Oil Coolers, although they can be used for any application that applies.

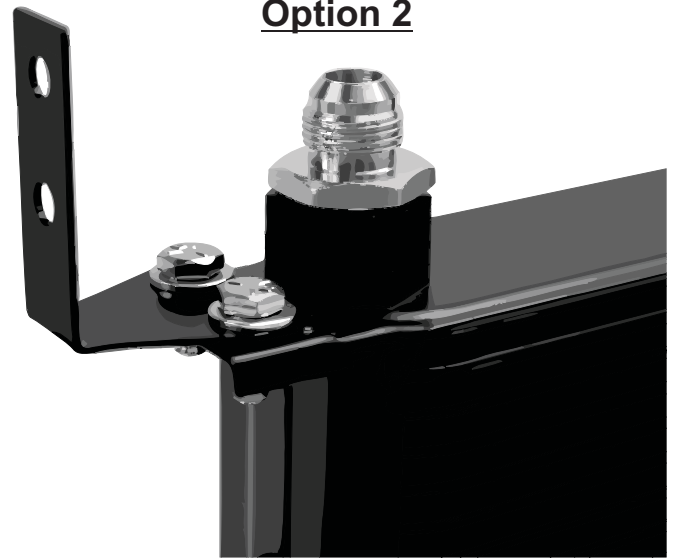
- Using the 1/4-20 x 3/4" Bolts, 1/4" Washers & 1/4" Lock Nuts supplied, choose the best mounting option for your application and attach the four Mounting Brackets to the Oil Cooler in the desired locations. (See Diagram #2)
- Holding the Oil Cooler in place, mark and drill eight 5/32" holes.
- Using the 1/4-20 x 3/4" Bolts, 1/4" Washers & 1/4" Lock Nuts supplied, attach the Oil Cooler to the vehicle making sure the Oil Cooler is not making contact with any moving parts or Hot engine components.

### Diagram #2

#### Option 1



#### Option 2



**Warning:** Installation of accessories should only be undertaken by those with mechanical knowledge and are familiar with working on vehicles. Always use eye protection (goggles, safety glasses or shield). Park the vehicle in a well lit area, on level ground and apply the parking brake. Only work on a cold vehicle that has been sitting overnight, failure to do so will result in severe burns and injury. Before starting the vehicle, make sure no tools or any other items are left under hood that could interfere with or be drawn into moving parts of the engine. Failure to follow instructions can lead to severe damage and personal injury.