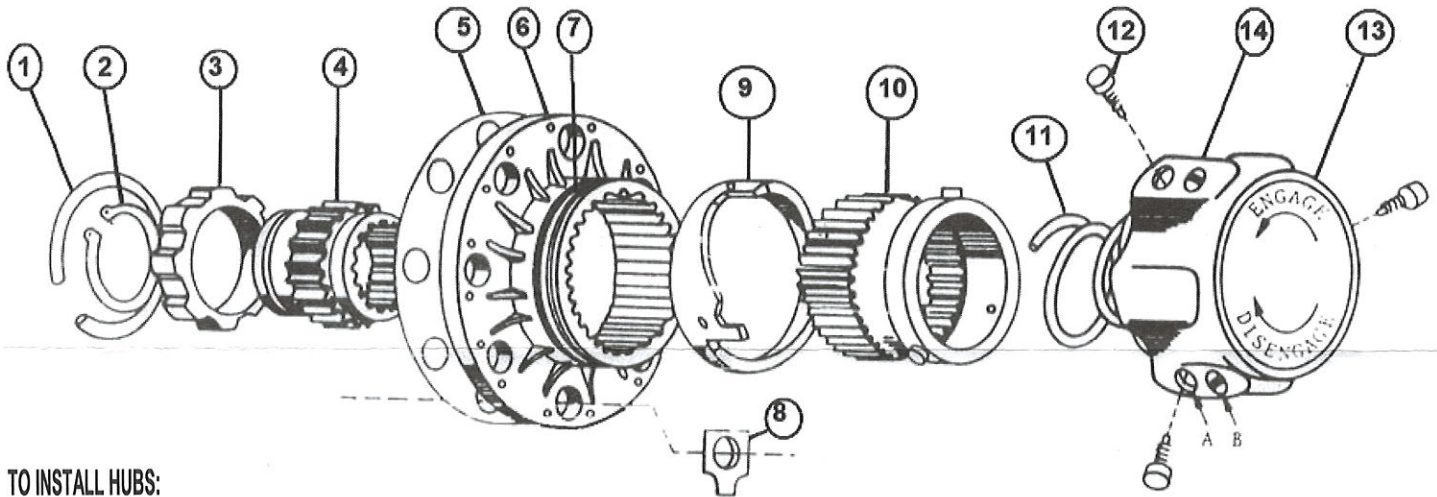


SELECTRO LOCK - OUT HUB



TO INSTALL HUBS:

1. Remove existing drive flange and fastenings, including snap ring on end of axle. Retain snap ring for end of axle. Prepare a clean smooth surface for gasket at flange.
2. Attach base unit to your vehicle. Use the gasket furnished or silicone rubber to seal against grease leak and moisture entry. See figures 1. Use fastenings previously removed, along with eight lock washers (Key # 8) to secure new hub. Tighten flange fastenings with care.
3. First, place fastenings for flange in place, finger tight, then tighten a little more to 25 ft. lb. (3 kgm). Bend tabs on washers up, to lock against bolt heads.
4. Assemble handle unit to base. See Figure 3. Push handle on until the three screws (Key # 12) can be put into place. **DO NOT** force screws into hole A when misalignment causes resistance to screw entering freely. Hubs are shipped with screws (Key # 14) assembled. **DO NOT** remove screws (Key #14). Assembly of screws (Key #14) into holes B requires care to avoid damage to cam.
5. Hubs may be greased as often as wheel bearings are serviced. Use light weight chassis grease. **DO NOT** pack hub full of grease.

FIGURE 2

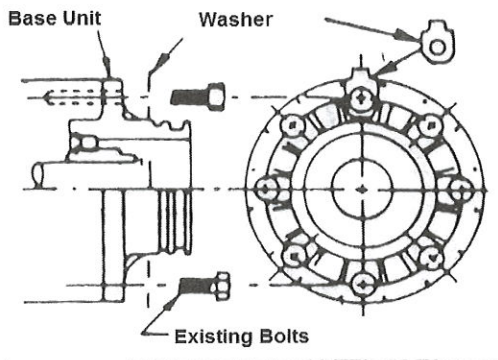
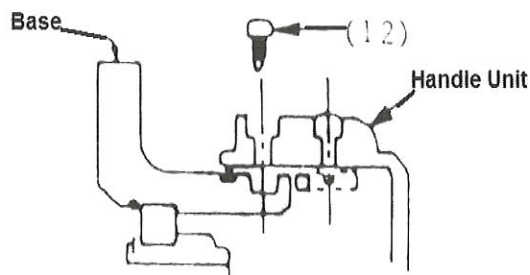


FIGURE 3



KEY	PART NO.	DESCRIPTION
1	105.04	Snap Ring
2	501.105.11	Snap Ring
3	102.09IH	Bushing
4	104.16	Gear
5	140.106.11	Gasket
6	1.101.34	Base
7	25.110.11	"O" Ring
8	117.05	Washer
9	501.107.52TF	Cam
10	502.104.03	Sliding Gear
11	501.109.10	Spring
12	123.13	Screw
13	501.118.74TF	Handle
14	123.22	Screw