

## Installation Instructions

### Step 1: Check Vacuum Plugs - See Figure A

**If current locking hubs are automatic**

1. Remove the Axle Hose at Axle Bracket and the Steering Knuckle.
2. Install two Vacuum Plugs. One on the Axle Bracket and one on the Steering Knuckle.

**If current locking hubs are manual**

1. Verify Vacuum Plug has been installed on Steering Knuckle.

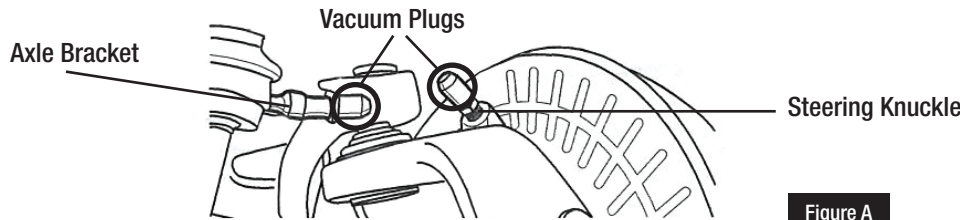


Figure A

### Step 2: Remove Current Locking Hubs - Refer to Ford Manual

### Step 3: Installation - See Figure B

1. Apply provided grease to both the Internal and External Splines Roto Couplings as well as the Teeth.
2. Align Internal Splines Roto Coupling with vehicle's Axle Stub, centered around Axle Stub with Teeth facing in.
3. Insert the Return Spring centered around the Axle Stub.
4. Align External Splines Roto Coupling with vehicle's Wheel Hub Splines and insert fully with Teeth facing out.
5. Take the Cap Assembly with the Gasket in place and the Dial set in the "FREE" position (see Figure C) and insert the Engagement Spring and Cam into the Wheel Hub.
6. Align the Cap Screws with the tapped holes in the Wheel Hub and secure using an M5 hex key.

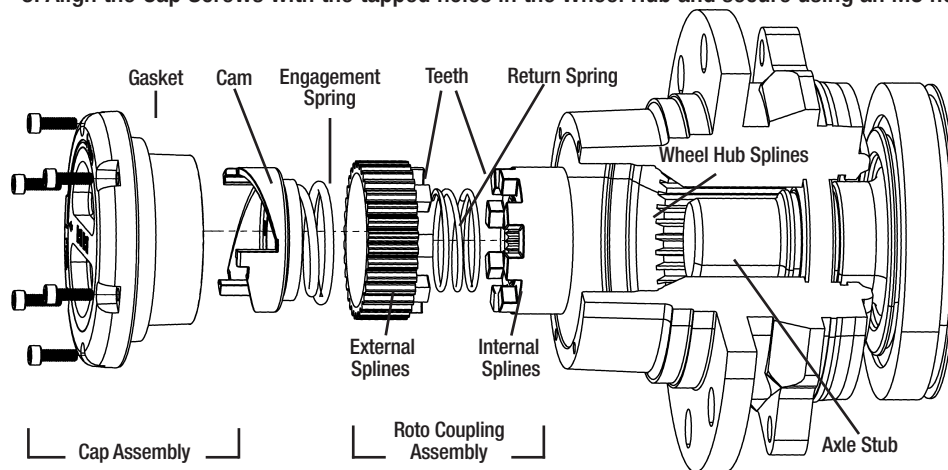


Figure B

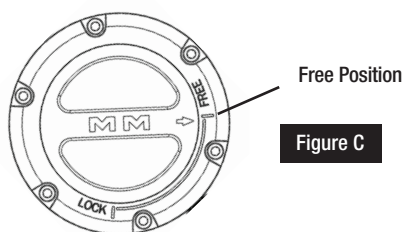
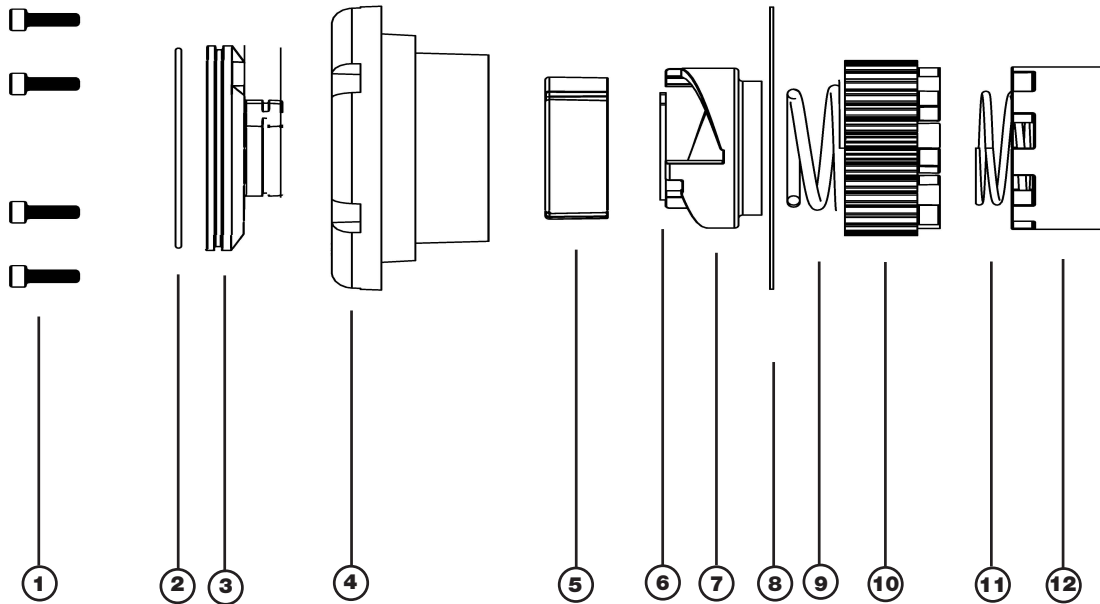


Figure C



ITEM	QUANTITY	DESCRIPTION	PART NUMBER
1	6	Socket Head Cap Screw M5x.8x16	549-62032
2	1	O-Ring 2.987in Dia	549-62015
3	1	Dial	549-62009
4	1	Housing Cap	549-62001
5	1	Cam Drive	549-62002
6	1	Snap Ring	549-62010
7	1	Cam	549-62003
8	1	Gasket NBR	549-62004
9	1	Engagement Spring	549-62005
10	1	External Splines Roto Coupling	549-62006
11	1	Return Spring	549-62008
12	1	Internal Splines Roto Coupling	549-62007



# PREMIUM LOCKING HUBS

2005 and Newer Ford Super Duty Models

Model Number: 549

**Warning:** Never drive with one hub only engaged, as this can damage the front differential. Never drive unless the control dials are in either fully locked or fully free position. If the hubs are partially engaged, hub damage may occur. (See Figure D)

## OPERATING INSTRUCTIONS

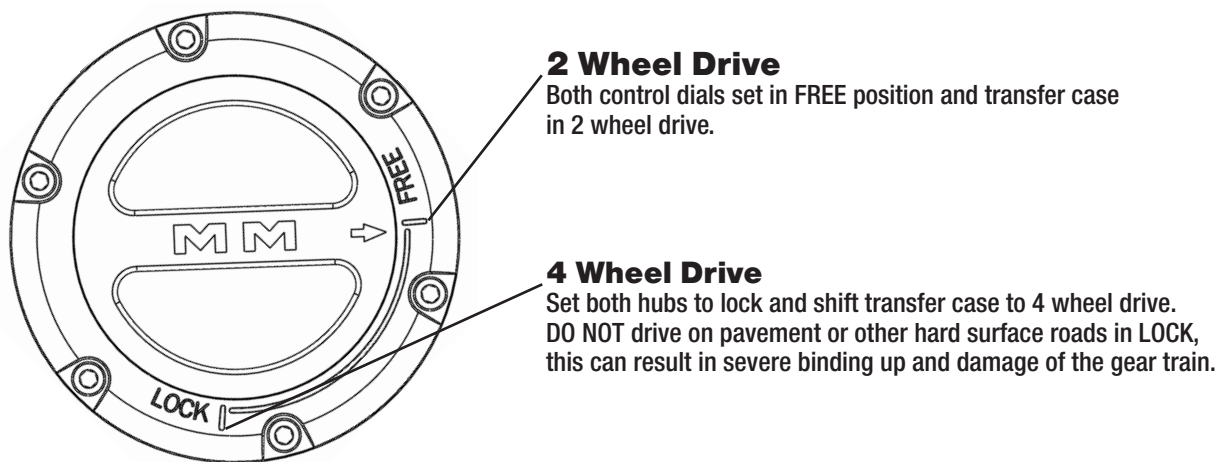


Figure D

## SERVICE INSTRUCTIONS

Hubs should be serviced at same time as wheel bearings. Clean and coat with motor oil or provided grease. The hubs should never be packed with grease. We recommend checking wheel bearing adjustment and locknut torque to be sure they are within vehicle manufacturer's specifications. We recommend to engage hubs for at least one mile monthly. If the body assembly requires service, disassemble and clean. Put a light coat of bearing grease on the axle gear. When the cam assembly is put back together, ensure it is aligned with the cap screw holes.

## Warranty

For warranty information and registration, please visit [milemarker.com/warranty](http://milemarker.com/warranty)

 **YouTube** Video instructions available at [www.youtube.com/user/MileMarkerWinch](http://www.youtube.com/user/MileMarkerWinch)



2121 BLOUNT ROAD  
POMPANO BEACH, FL 33069 USA

800.886.8647  
MILEMARKER.COM  
INFO@MILEMARKER.COM

