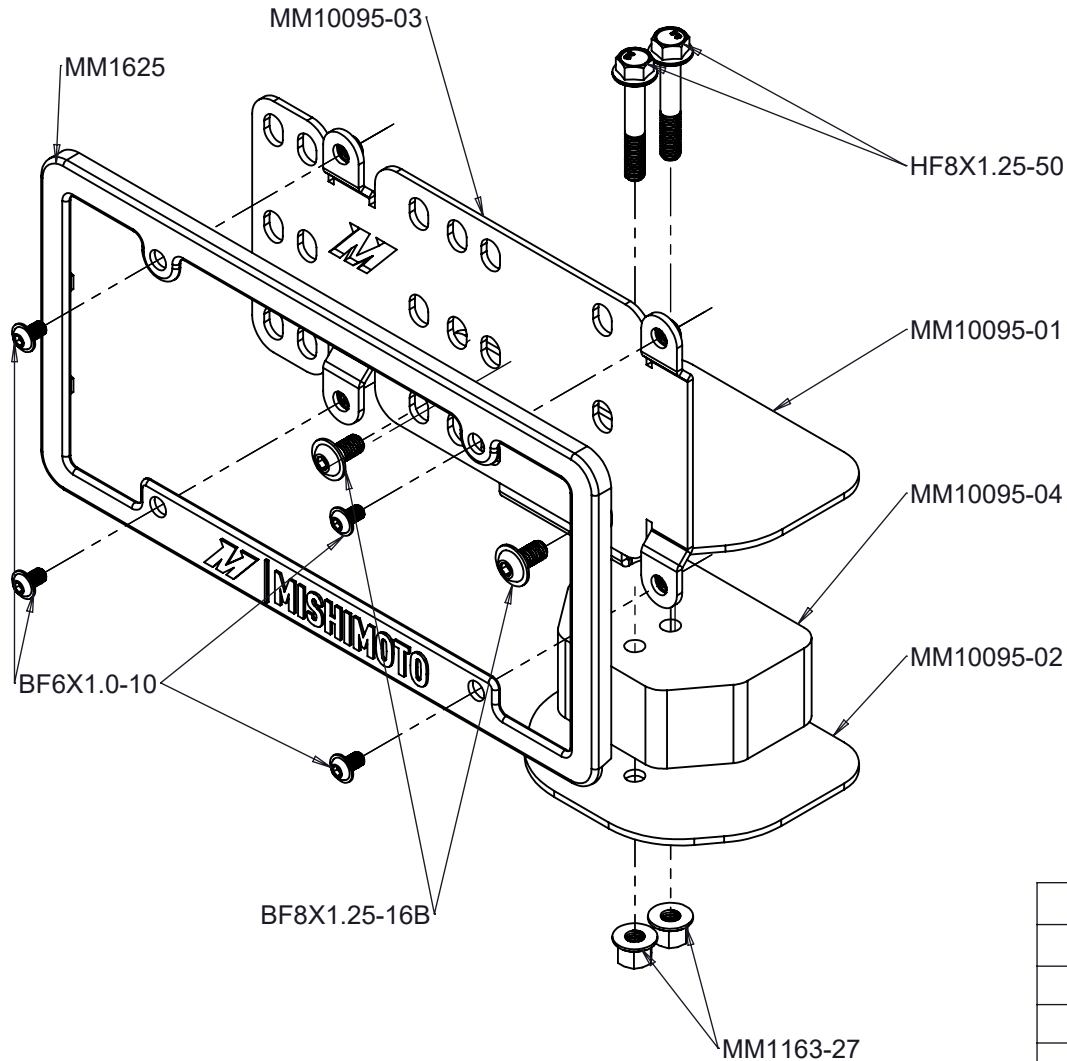


MISHIMOTO



INSTALLATION STEPS:

1. PLACE MM10095-04 THROUGH THE FACTORY TOW HOOK. IF YOUR VEHICLE HAS FRONT PARKING SENSORS, INSTALL ON PASSENGER SIDE TOW HOOK, OTHERWISE, IT MAY BE INSTALLED ON EITHER SIDE.
2. PLACE MM10095-01 ON TOP OF THE TOW HOOK AND PUT THE 2X HF8X1.25-50 THROUGH THE HOLES IN BOTH MM10095-01 AND MM10095-04.
3. PLACE MM10095-02 ON THE BOTTOM OF THE TOW HOOK AND LINE UP THE HOLES WITH THE 2X HF8X1.25-50 AND INSTALL 2X MM1163-27 ON THE BOLTS. LEAVE THE NUTS HAND TIGHT FOR NOW.
4. FASTEN MM10095-04 TO MM10095-01 USING THE 2X BF8X1.25-16B. IF YOUR VEHICLE HAS FRONT PARKING SENSORS, WE SUGGEST USING THE HOLES CIRCLED IN FIGURE A BELOW.
5. INSTALL THE LICENSE PLATE AND FRAME ONTO MM10095-03 USING 4X BF6X1.0-10.
6. MAKE ANY ADJUSTMENTS NECESSARY TO PLACE THE LICENSE PLATE IN THE DESIRED LOCATION. IF YOU HAVE FRONT PARKING SENSORS, CHECK TO VERIFY THE LOCATION DOES NOT TRIGGER THE PARKING SENSORS AND ADJUST IF NECESSARY.
7. TIGHTEN HF8X1.25-50 AND MM1163-27.

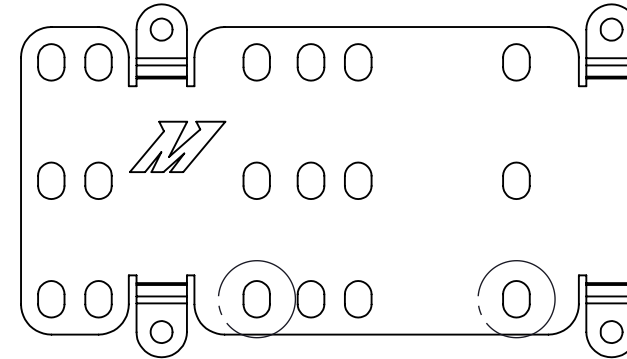


FIGURE A

BILL OF MATERIALS

PART NUMBER	DESCRIPTION	QUANTITY
MM10095-01	BRACKET 1	1
MM10095-02	BRACKET 2	1
MM10095-03	BRACKET 3	1
MM10095-04	FOAM SPACER	1
BF6X1.0-10	M6 BOLT	4
BF8X1.25-16B	M8 BOLT	2
HF8X1.25-50	M8 BOLT	2
MM1163-27	M8 NUT	2
MM1625	PLATE FRAME	1