

Installation Manual

VERSION
FRANÇAISE



AIR SUSPENSION KIT

Ford F-250 / F-350 / F-450 Super Duty (2WD/4WD)*

**With or without 5th Wheel Hitch. Not for commercial cab and chassis trucks.*

Use the most advanced air springs on the market to eliminate your vehicle's sag, sway and bottoming out. This heavy duty air suspension kit levels your truck's stance while providing added support for an overall smooth and safe ride.

** See application guide for proper fitment.*

L6450_REV4_02.23.2024

Thank you and congratulations on the purchase of an Air Suspension kit. Please read the entire manual prior to starting the installation to ensure you can complete it once started.

IMPORTANT

This air suspension kit will not increase the GVWR (*Gross Vehicle Weight Rating*), as the GVWR is determined by the vehicle manufacturer. **Do not exceed the maximum capacity listed by the vehicle manufacturer.**

For safe and proper operation of the vehicle, never exceed a maximum of 100PSI in the air springs. Staying under the pressure limit will ensure maximum air spring life. **Failure in doing so may result in damage to your vehicle and/or a void warranty.**

SAFETY WARNINGS!

! Please read and abide the instructions found in this manual, paying close attention to the helpful, cautionary or dangerous warning icons highlighting important safety recommendations and maintenance suggestions throughout this manual.

HELPFUL INSTALL TIP
 Additional information that could potentially make the job a little easier.

PLEASE USE CAUTION
 Unsafe practices could result in damage to you or your vehicle, or others.

DANGER WARNING
 Hazards which could result in severe personal injury or death.

! Serious personal injury or death may result from an air spring failure or accident due to improper installation or air spring pressure operation or maintenance.

! Inflating an unsecured air spring is dangerous. If it bursts, it could be hurled into the air with explosive force resulting in serious personal injury or death. Never inflate an air spring unless it is secured to the vehicle.

! Removing and replacing air springs can be dangerous. This is only a job for a qualified service professional. Never perform air spring service procedures without proper training, tools, and equipment.

BEFORE STARTING THE INSTALLATION

- Ensure the application information is correct for the make, model and year of the vehicle you are installing the kit on.
 - Some vehicles are equipped with a rear wheel brake proportioning valve. Check with the manufacturer before installing the air spring kit, as it may affect braking performance.
 - It is recommended to use a good quality anti-seize on all fasteners. This will reduce the chance of corrosion on the fasteners and will help facilitate removal, if required at a later date.
- !** **PLEASE NOTE:** This kit contains push-to-connect fittings; using scissors or wire cutters to cut the nylon air line will distort the line and cause the connection to leak. The air line must be cut off squarely with the hose cutter provided in this kit, or a sharp utility knife. **Failure to do so may void the warranty.**

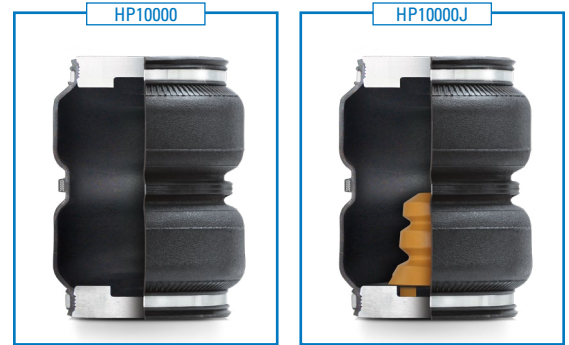
! **WARNING:** This product can expose you to the chemical Hexavalent Chromate, which is known to the State of California to cause cancer and birth defects or other reproductive harm. **For more information go to www.P65Warnings.ca.gov**

KIT CONTENTS

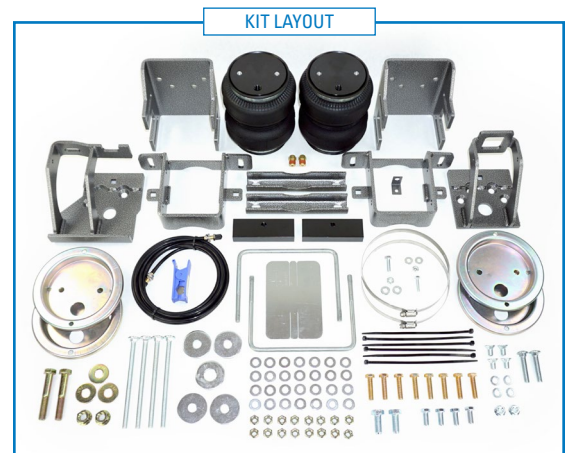
Please confirm the items below are provided in your kit before starting the installation. Reference the kit explosion diagram on the following page for part assembly.

HEAVY DUTY KITS		QTY	PART #
A ⁺	Double Convoluted Spring	2	HP10000

HEAVY DUTY JOUNCE BUMPER KITS		QTY	PART #
A ⁺	Double Convoluted Spring w/ Jounce Bumper	2	HP10000J



KIT CONTENTS		QTY	PART #
B	Roll Plate	4	HP10054
C	Lower Air Spring Bracket	2	HP1673
D	Lower Axle Bracket	2	HP1674
E	Upper Driver Bracket	1	HP1679
F	Upper Passenger Bracket	1	HP1682
G	L-Bracket	1	HP1379
H	Spacer	2	HP1364
I	Axle Strap	2	HP1678
J	U-Bolt, 3/8" – 16 x 7" x 5.5" Square	2	HP1486
K	Bolt, 1/4" – 20 x 1" Hex Head	1	P34637
L	Bolt, 5/16" – 24 x 1" Hex Head	1	C10465
M	Bolt, 3/8" – 24 x 7/8" Hex Head	4	HP1002
N	Bolt, 3/8" – 24 x 3/4" Countersunk	4	HP1008
O	Bolt, 3/8" – 16 x 1.5" Hex Head	8	HP1646
P	Bolt, 3/8" – 16 x 2" Carriage	2	HP1447
Q	Bolt, 3/8" – 16 x 6" Carriage	4	HP1685
R	Bolt, 1/2" – 13 x 1.25" Hex Head	2	HP1371
S	Bolt, 1/2" – 13 x 3" Hex Head	2	HP1324
T	Washer, 1/4" Flat	2	P02190
U	Washer, 5/16" Flat	2	C11944
V	Washer, 3/8" Flat	28	C653
W	Washer, 3/8" Split Lock	4	C18007
X	Washer, 1/2" x 1.375" OD Flat	3	HP1368
Y	Washer, 1/2" x 2" OD Thin Flat	2	HP1010
Z	Washer, 1/2" x 2" OD Thick Flat	2	HP1369
AA	Washer, 3/4" Flat	1	HP1446
BB	Nut, 1/4" Nylon Lock	1	HP1072
CC	Nut, 5/16" Nylon Lock	1	C10450
DD	Nut, 3/8" Nylon Lock	16	HP1000
EE	Nut, 3/8" Serrated Flange	2	HP1338
FF	Nut, 1/2" Serrated Flange	2	HP1370
GG	Heat Shield	1	HP0012
HH	Worm Gear Ring Clamp	2	HP1377
II	Fitting, 1/4" NPT Brass Straight	2	HP1099

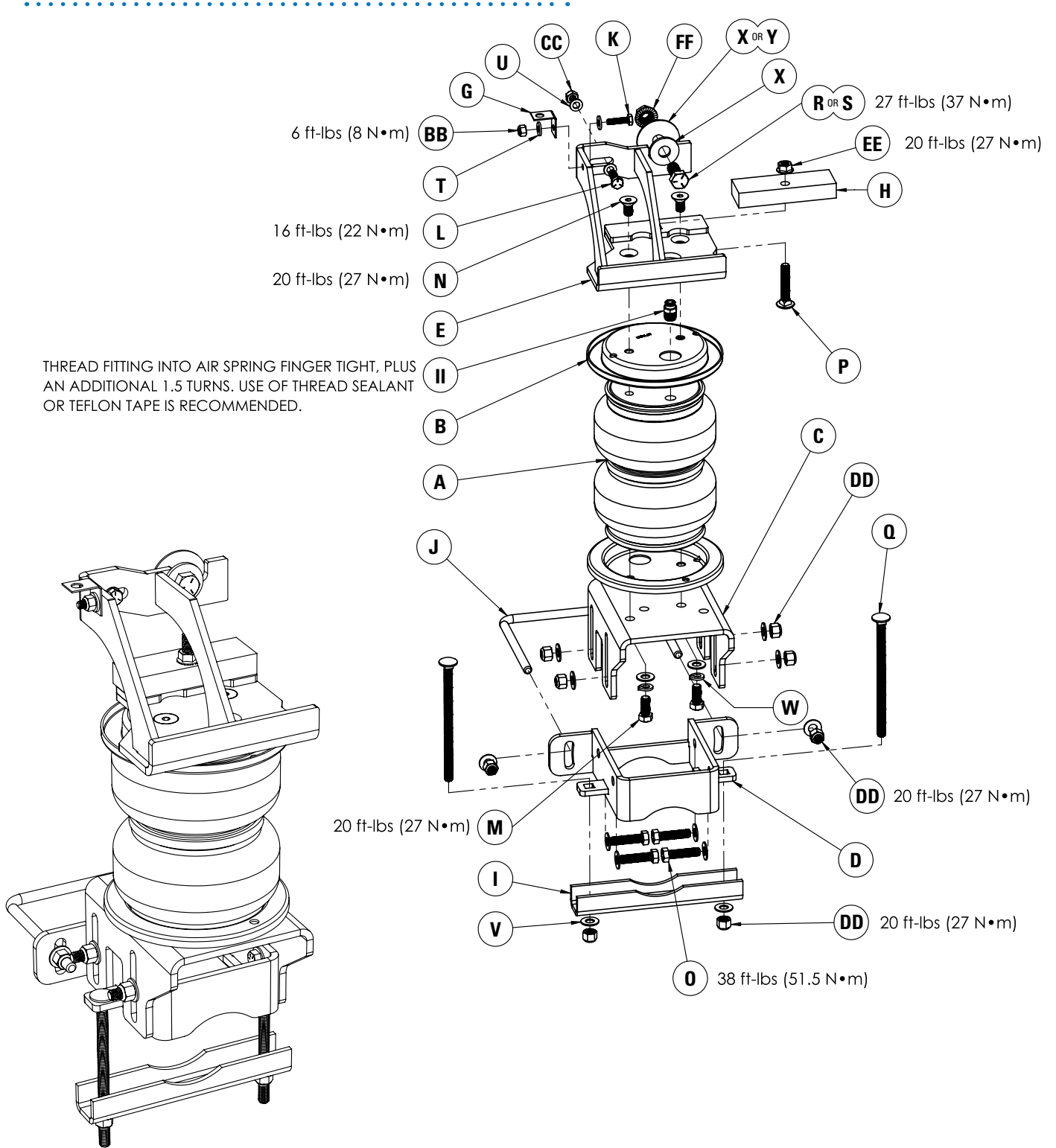


REQUIRED TOOLS

- Hoist or Floor Jack
- Safety Stands
- Safety Glasses
- Torque Wrench
- Standard Combination Wrenches
- 7/32" Hex Allen Wrench
- Ratchet
- Metric & Standard Sockets
- Hose Cutter (included) or Sharp Utility Knife
- Pipe Thread Sealant
- Spray Bottle with Dish Soap/Water
- Air Compressor/Compressed Air Source (to test/fill air springs)

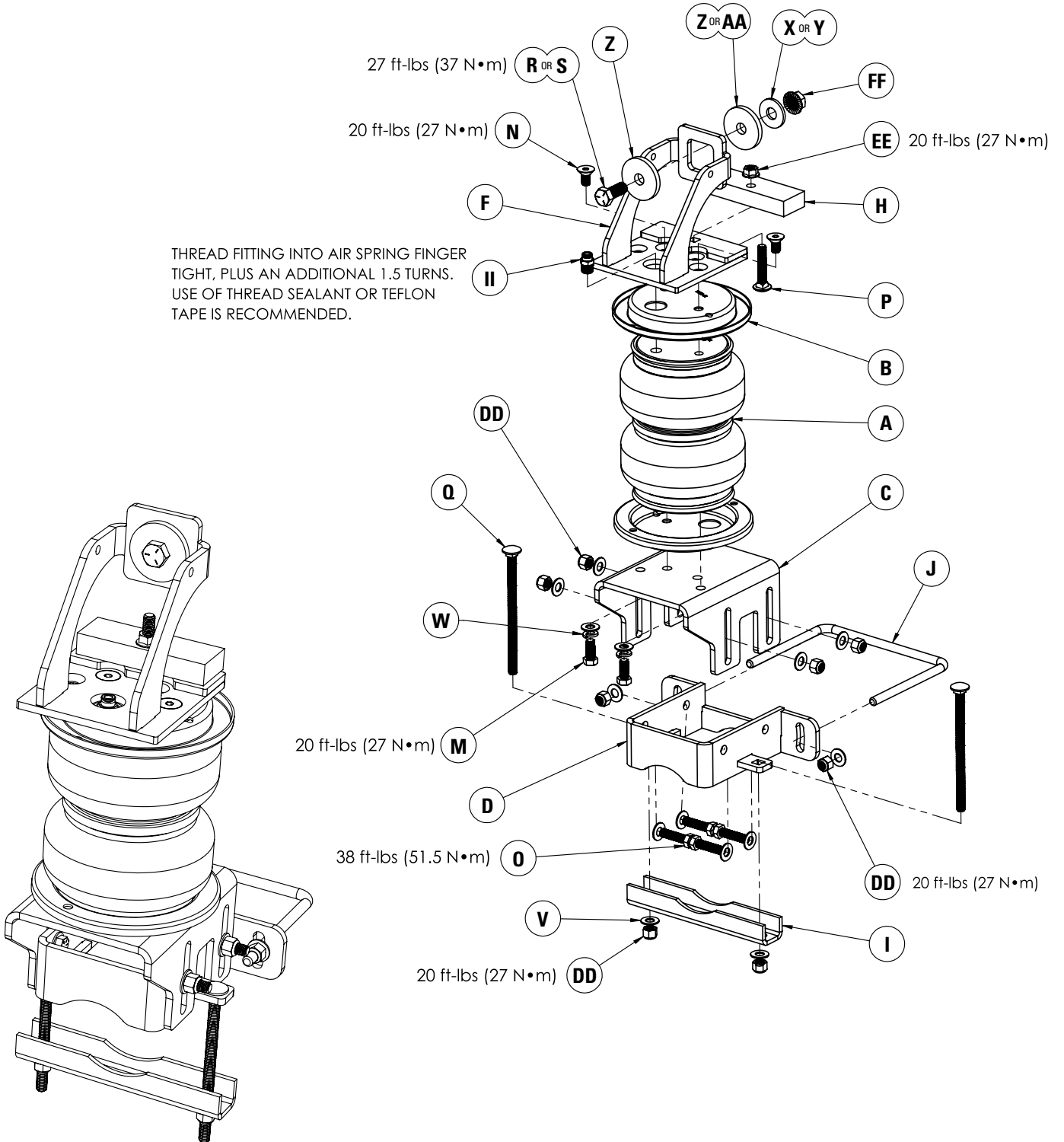
KIT EXPLOSION DIAGRAM

DRIVER SIDE ASSEMBLY SHOWN (See following page for Passenger side)



KIT EXPLOSION DIAGRAM

PASSENGER SIDE ASSEMBLY SHOWN

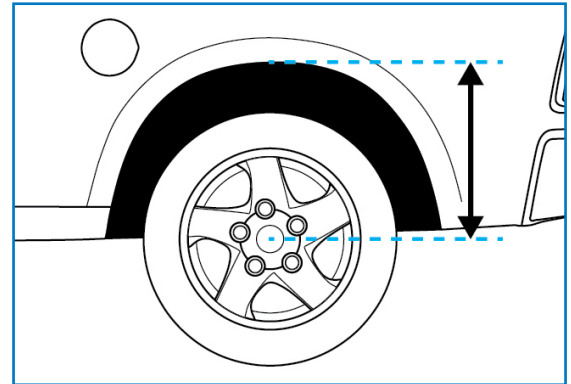


1 MEASURE STOCK RIDE HEIGHT

Park the vehicle on a level surface. Remove any unnecessary weight from the vehicle to attain a Normal Ride Height. This is important for correct initial air spring set-up and adjustment.

Using a measuring tape, measure the distance between the center of the wheel hub and the bottom of the fender well (as shown in Figure 1) this will give you your ride height.

Note the ride height for all four corners.



1

2 REMOVE REAR WHEELS

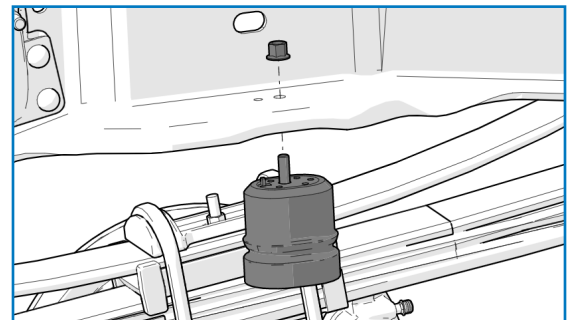
Place wheel chocks in front of and behind both front wheels.

Raise the rear of the truck high enough to remove both wheels and attain a comfortable working height.

Place two jack stands under rear axle.

Lower the vehicle until the axle is supported by the jack stands.

Remove rear wheels.



3A

3 REMOVE JOUNCE BUMPER, EMISSION LINE CLIP & AFTERMARKET FIFTH WHEEL HARDWARE (IF EQUIPPED)

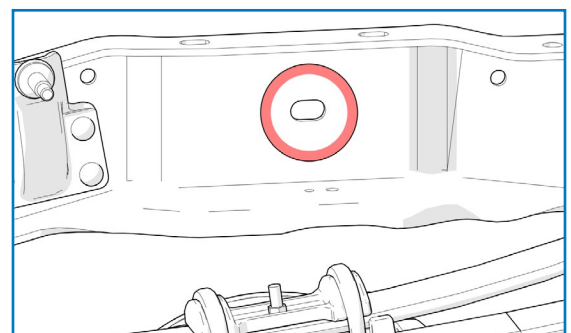
Remove the flange nut securing the jounce bumper to the frame rail using a 13mm wrench or socket. (See Figure 3A).

Discard the nuts as they will not be reused in this installation.

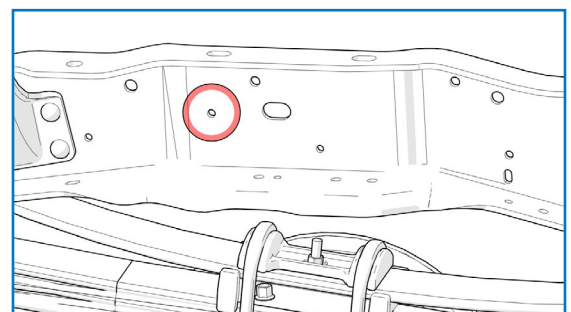
If the truck is equipped with an aftermarket fifth wheel hitch that uses the slotted hole in the frame above the jounce bumper mounting location (shown in Figure 3B), remove the hardware bolting the hitch plate to the frame. Keep all hardware for reinstallation with kit upper brackets.

If the truck is equipped with an emission line running inside the frame, it must be relocated to allow fitment of the upper driver bracket. On the driver's side, check if a line is clipped to the hole above the jounce bumper (shown in Figure 3C).

If equipped, carefully remove the harness clip from the frame hole and gently pull the lines upwards.



3B



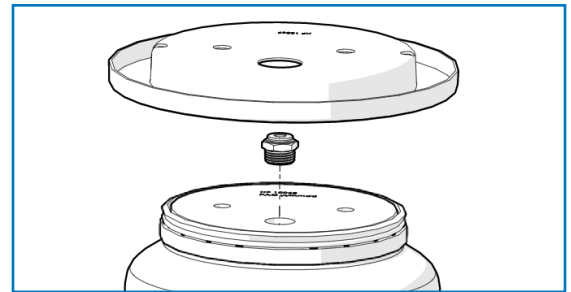
3C

4 INSTALL AIR FITTINGS

Install the straight brass fitting into each air spring (as shown in Figure 4).

Thread the fitting finger tight plus an additional 1.5 turns. The use of thread sealant or Teflon tape is recommended.

Set a roll plate (as shown) on the top surface of the air spring after the fitting is tightened.

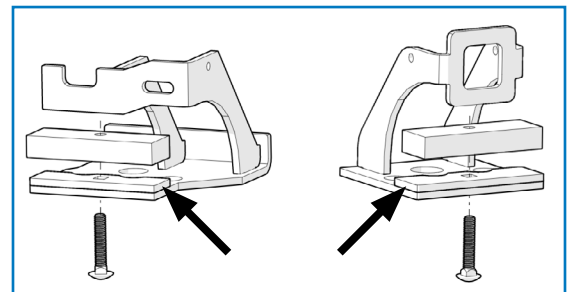


4

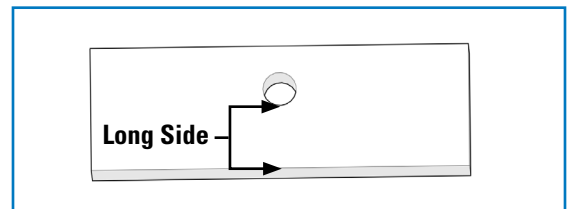
5 INSTALL SPACERS ON UPPER BRACKETS

Install a spacer on each upper bracket (as shown with an arrow in Figure 5A) with a 3/8" – 16 x 2" Carriage Bolt.

Ensure the long side of the spacer (indicated with an arrow in Figure 5B) faces away from the air spring mounting holes.



5A



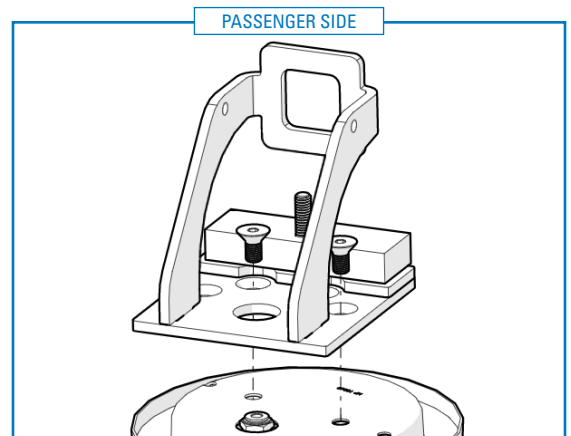
5B

6 ATTACH UPPER PASSENGER BRACKET TO AIR SPRING

Assemble the passenger side spring assembly (as shown in Figure 6 on the following page) by placing the upper passenger bracket with spacer on the air spring and roll plate.

Align the indicated bracket holes with the holes in the roll plate and air spring and secure using two 3/8" – 24 x 3/4" Countersunk bolts.

Torque bolts to 20 ft-lbs (27 N•m).



6

7 ATTACH UPPER DRIVER BRACKET TO AIR SPRING

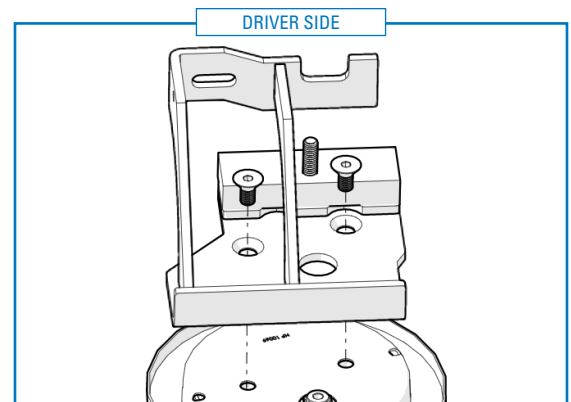
Assemble the driver side spring assembly (as shown in Figure 7A) by placing the upper driver bracket with spacer on the air spring and roll plate.

Align the bracket holes with the holes in the roll plate and air spring and secure using two 3/8" – 24 x 3/4" Countersunk bolts.

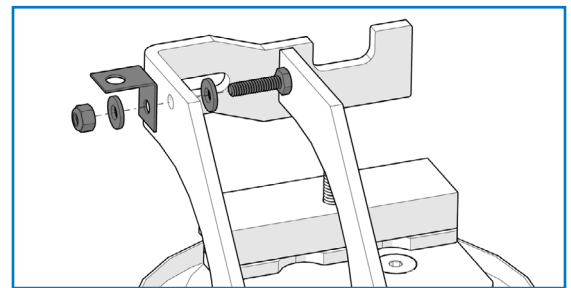
Torque bolts to 20 ft-lbs (27 N•m).

Attach the L-Bracket to the hole in the upper driver bracket as shown in Figure 7B. Secure using a 1/4" – 20 x 1" bolt, two 1/4" flat washers and a 1/4" nylon lock nut.

Torque bolt to 6 ft-lbs (8 N•m).



7A



7B

8 INSTALL PASSENGER SPRING ASSEMBLY

Install the passenger spring assembly onto the truck (as shown in Figure 8A) by inserting the previously installed carriage bolt through the hole previously occupied by the jounce bumper bolt. Secure using a 3/8" serrated flange nut and torque to 20 ft-lbs (27 N•m).

For trucks WITHOUT A FIFTH WHEEL HITCH:

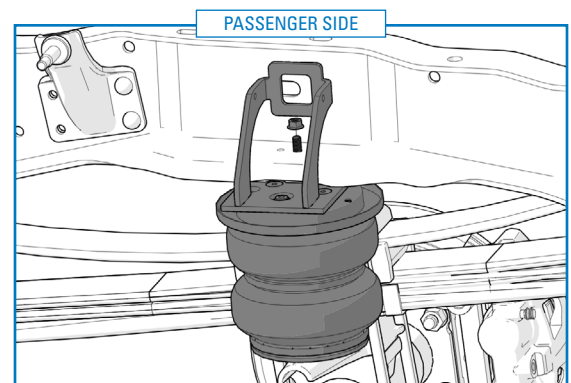
Secure the upper bracket (as shown in Figure 8B) using a 1/2" – 13 x 1.25" bolt with two 1/2" x 2" OD thick flat washers, one 1/2" x 1.375" OD flat washer and one 1/2" serrated flange nut.

For trucks with a FACTORY FIFTH WHEEL HITCH:

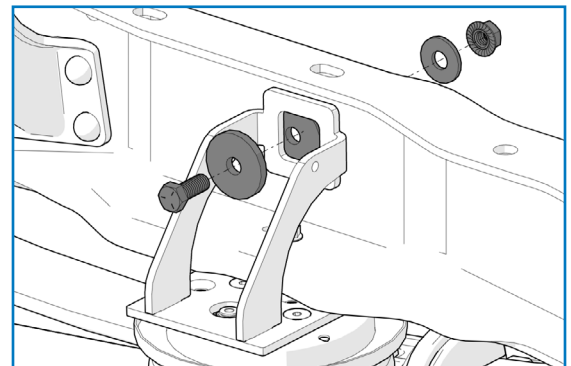
Secure the upper bracket using the same method as above, however, replace the 1/2" x 1.375" OD flat washer that sits outside the frame with a 1/2" x 2" OD thin flat washer. The thinner washer is required in order for the serrated flange bolt to fit between the fifth wheel hitch plate and the frame.

For trucks with an AFTERMARKET FIFTH WHEEL HITCH THAT USES THE FRAME MOUNTING SLOTS:

Secure the upper bracket using the existing fifth wheel hardware previously removed in Step 3. When reinstalling hardware, add a 1/2" x 2" OD thick flat washer or 3/4" flat washer between the upper passenger bracket and the frame. The washer size needed will depend on the size of the fifth wheel bolt used.



8A



8B

Step continues on following page...

For trucks with an AFTERMARKET FIFTH WHEEL HITCH THAT COVERS THE FRAME MOUNTING SLOTS:

A 1/2" hole must be drilled through the fifth wheel plate using the frame slot as a reference template.

! *PLEASE NOTE: It may be necessary to mark the drill location and remove the spring assembly to correctly drill the hole. Use caution when drilling to not damage any wiring lines, fuel lines or other vehicle components.*

Secure the upper bracket (as shown in Figure 8B) using a 1/2" – 13 x 3" bolt with two 1/2" x 2" OD thick flat washers, one 1/2" x 1.375" OD flat washer and one 1/2" serrated flange nut.

For all mounting conditions, torque bolt to 27 ft-lbs (37 N•m).

9 INSTALL DRIVER SPRING ASSEMBLY

Install the driver spring assembly onto the truck (as shown in Figure 9A) by inserting the previously installed carriage bolt through the hole previously occupied by the jounce bumper bolt.

Ensure no lines are pinched between the frame and bracket and secure using a 3/8" serrated flange nut.

Torque flange nut to 20 ft-lbs (27 N•m).

Secure the bracket to the frame (as shown in Figure 9B) using a 5/16" – 24 x 1" hex bolt, two 5/16" flat washers and a 5/16" nylon lock nut.

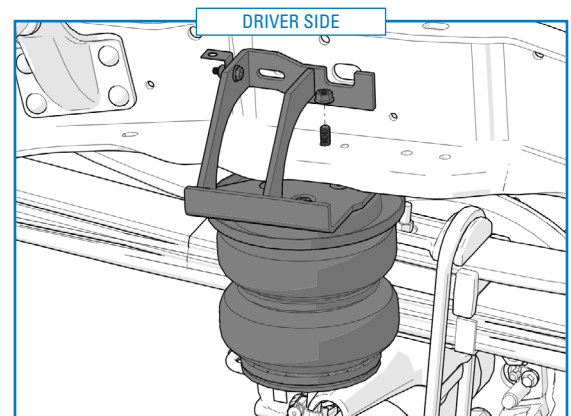
Torque bolt to 16 ft-lbs (22 N•m).

If the truck is equipped with an emission line, install the line clip into the hole in the L-bracket previously install in Step 7 (Figure 7B) on the upper driver bracket.

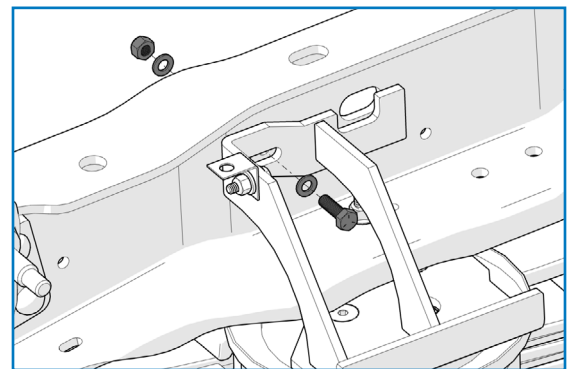
+ *PLEASE NOTE: L-bracket may need to be removed and positioned on the inner bracket surface to allow better fitment.*

For trucks WITHOUT A FIFTH WHEEL HITCH:

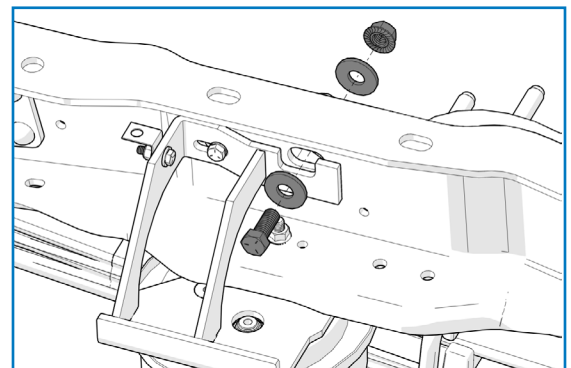
Secure the upper bracket (as shown in Figure 9C) using a 1/2" – 13 x 1.25" bolt with two 1/2" x 1.375" OD flat washers and one 1/2" serrated flange nut.



9A



9B



9C

Step continues on following page...

For trucks with a FACTORY FIFTH WHEEL HITCH:

Secure the upper bracket using the same method as above, however, replace the 1/2" x 1.375" OD flat washer that sits outside the frame with a 1/2" x 2" OD thin flat washer. The thinner washer is required in order for the serrated flange bolt to fit between the fifth wheel hitch plate and the frame.

For trucks with an AFTERMARKET FIFTH WHEEL HITCH THAT USES THE FRAME MOUNTING SLOTS:

Secure the upper bracket using the existing fifth wheel hardware removed in Step 3.

For trucks with an AFTERMARKET FIFTH WHEEL HITCH THAT COVERS THE FRAME MOUNTING SLOTS:

A 1/2" hole must be drilled through the fifth wheel plate using the frame slot as a reference template.

- !** *PLEASE NOTE: It may be necessary to mark the drill location and remove the spring assembly to correctly drill the hole. Use caution when drilling to not damage any wiring lines, fuel lines or other vehicle components.*

Secure the upper bracket (as shown in Figure 9C on the previous page) using a 1/2" – 13 x 3" bolt with two 1/2" x 1.375" OD flat washers and one 1/2" serrated flange nut.

For all mounting conditions, torque bolt to 27 ft-lbs (37 N•m).

10 PRE-ASSEMBLE LOWER BRACKETS

Assemble the lower brackets (as shown in Figure 10).

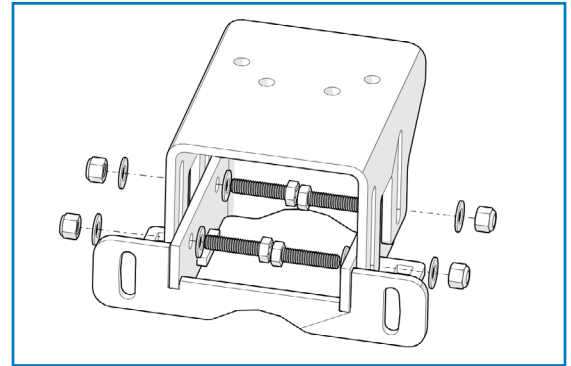
Attach the lower axle bracket and lower air spring bracket using four 3/8" – 16 x 1.5" bolts, eight 3/8" flat washers and four 3/8" nylon lock nuts.

- !** *Ensure bolts are inserted from the inside or they will cause interference on trucks equipped with lift blocks.*

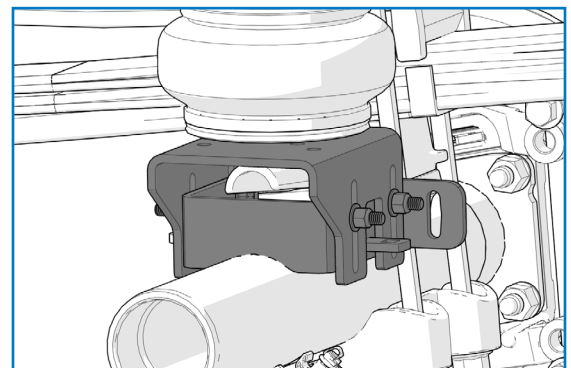
Do not fully tighten hardware to allow for adjustability during install.

11 INSTALL LOWER BRACKET ASSEMBLY

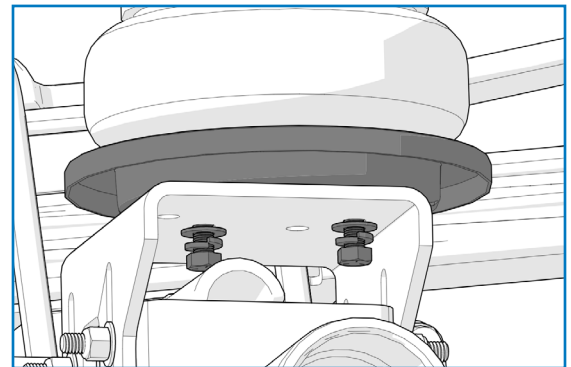
Place lower bracket assembly in truck (as shown in Figure 11). If the truck is equipped with a lift block, ensure the air spring bracket is positioned above the block as shown.



10



11



12



13

12 INSTALL LOWER ROLL PLATE AND SECURE AIR SPRING

Insert a roll plate between the air spring and lower bracket (as shown in Figure 12 on the previous page). Align the holes in the air spring, roll plate and air spring bracket and secure using two 3/8" – 24 x 7/8" bolts, two 3/8" lock washers and two 3/8" flat washers.

Torque bolts to 20 ft-lbs (27 N•m).

13 INSTALL LOWER BRACKET U-BOLT

Install the square U-Bolt around the leaf pack and into the axle bracket (as shown in Figure 13 on the previous page). Secure using two 3/8" flat washers and two 3/8" nylon lock nuts.

Torque nuts to 20 ft-lbs (27 N•m).

14 INSTALL AXLE CLAMP

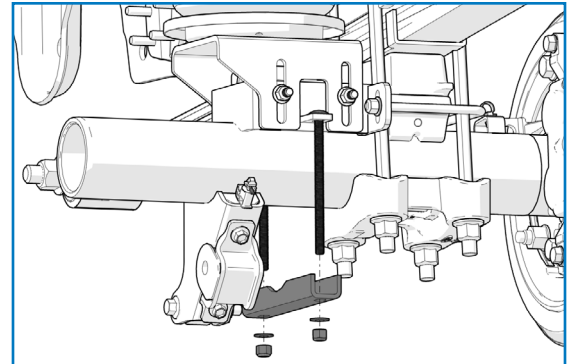
Insert a 3/8" – 16 x 6" carriage bolt into each of the square holes on the lower axle bracket. Attach the axle strap to the carriage bolts as shown in Figure 14 using two 3/8" flat washers and two 3/8" nylon lock nuts.

Torque nuts to 20 ft-lbs (27 N•m).

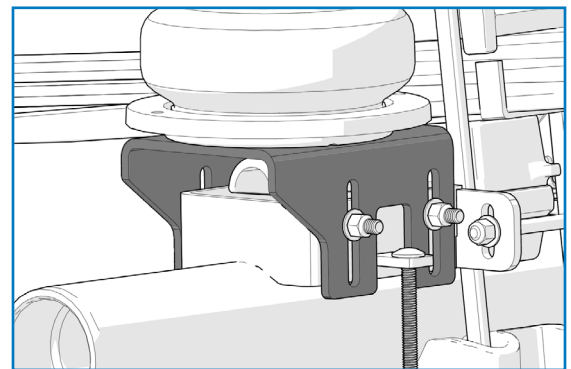
15 SET AIR SPRING BRACKET HEIGHT

For vehicles WITH a lift block, lower the air spring bracket until it just touches the lift block (shown in Figure 15). Torque the four hex bolts to 38 ft-lbs (51.5 N•m) to lock this height.

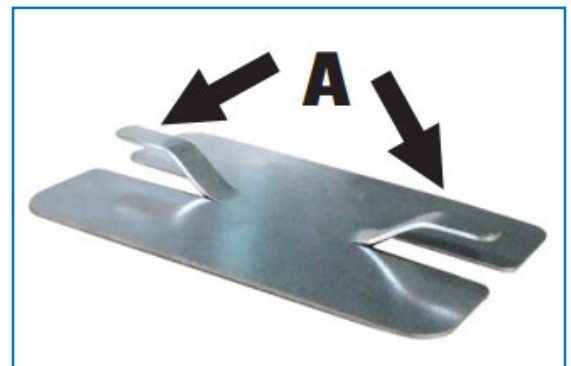
For vehicles WITHOUT a lift block, lower the air spring bracket to the lowest possible position that does not result in interference with other components. Torque the four hex bolts to 38 ft-lbs (51.5 N•m)



14



15



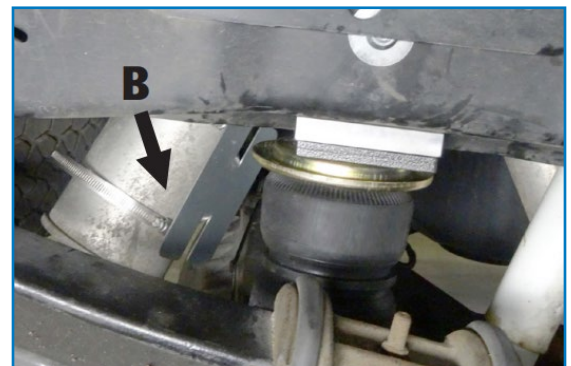
16A

16 ATTACH HEAT SHIELD TO MUFFLER

Bend the tabs on the heat shield (as shown with the arrows in Figure 16A) so there will be the necessary 1/2" dead space between the heat shield and the muffler when the heat shield is attached.

Attach the heat shield to the muffler (as shown with the arrow in Figure 16B) using two hose clamps. Each hose clamp holds a tab against the muffler. Make sure the heat shield is facing toward the air spring.

Installation continues on the following page.



16B

INSTALL AIR LINE

Two fill valves are provided in this kit. The most common place to install them is in place of the license plate fasteners. Alternatively, two 5/16" holes can be drilled in a location of your choosing.

Cut the air line assembly into two equal lengths with the hose cutter provided in this kit or a sharp utility knife.

! **PLEASE NOTE:** *This kit contains push-to-connect fittings; using scissors or wire cutters to cut the nylon air line will distort the line and cause the connection to leak. The air line must be cut off squarely with a hose cutter or a sharp utility knife.*

Install one air line at a time starting at the fill valve location. Place a 5/16" nut on the air valve. Leave enough of the inflation valve in front of the nut to extend through the hole, install a flat washer, and 5/16" nut and cap (reference Figure A for assembly). There should be enough valve exposed after installation – approximately 1/2" – to easily apply a pressure gauge or an air chuck.

Route the air line back to the NPT fitting on the air spring, then cut the hose to length. Moisten the end of the air line prior to inserting it into the fitting and push it in until it stops.

Repeat with the other fill valve.

Secure the air lines using the provided tie-straps, away from any moving items and heat sources.

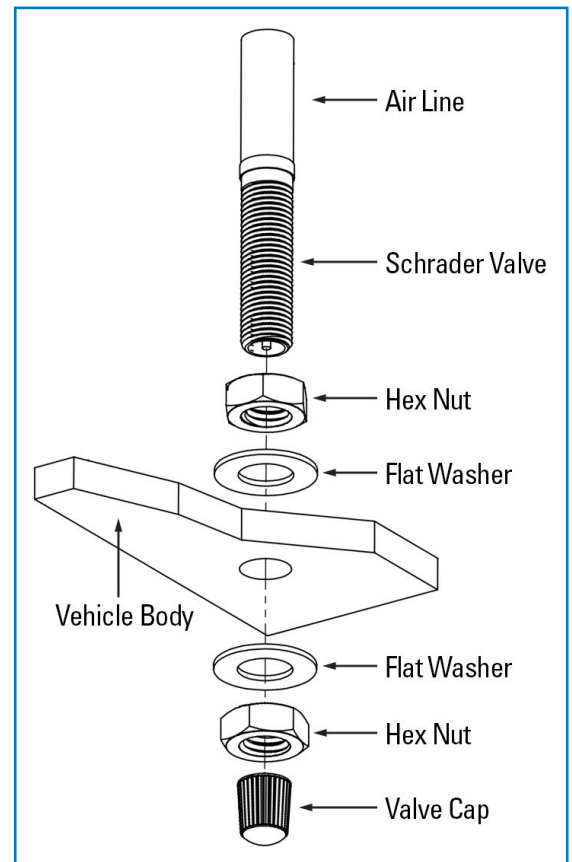
CHECK SYSTEM FOR LEAKS

Inflate both air springs to 90 psi and then use a mixture of dish soap and water on all air line connections to detect any air leaks. Large, expanding bubbles indicate a leak (as shown in Figure B).

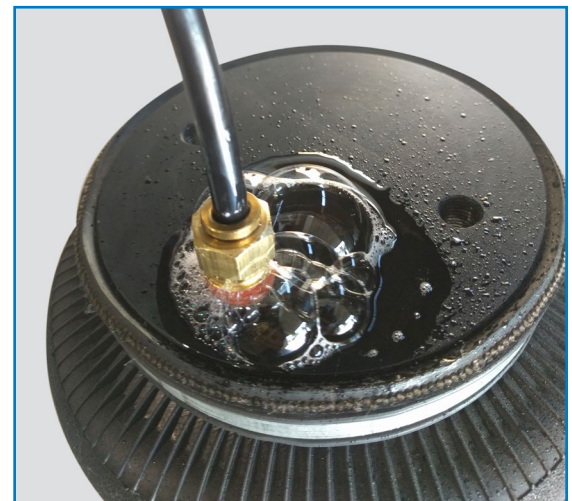
Repair as necessary and retest.

Inflate air springs to a predetermined value and on following day recheck pressure. If one or both of air springs have lost pressure, an air leak is present.

! **Leak must be repaired, and then retested until no leaks exist.**



A



*Air Spring & NPT Air Fitting may differ between kits

B

CONGRATULATIONS! You have completed the install

After Installation continues on the following page.

Thank you again, and congratulations on the installation of your Air Suspension kit.

AFTER COMPLETING THE INSTALLATION

- The air spring must have clearance between itself and the surrounding components to prevent any contact when spring is inflated or compressed. Trimming off excess bolt length may also be required to ensure no contact with the spring or other suspension components can be made once installed.
- If removed, re-install the wheels and torque fasteners to the manufacturer’s specifications. Re-torque all fasteners after the first 500 miles of driving.

OPERATING YOUR VEHICLE WITH AIR SUSPENSION

Air springs have minimum and maximum recommended pressure requirements:

PART #	SPRING STYLE	SPRING TYPE	MIN PSI	MAX PSI
HP10189	In-Coil	STANDARD DUTY	5 PSI	70 PSI
HP10560		STANDARD DUTY		
HP10001	Sleeve Style	STANDARD DUTY	10 PSI	100 PSI
HP10173		STANDARD DUTY		
HP10199		STANDARD DUTY		
HP10083	Single Convoluted	HEAVY DUTY	5 PSI	100 PSI
HP10083J		HEAVY DUTY with JOUNCE BUMPER	0 PSI* / 5 PSI	100 PSI
HP10000	Double Convoluted	HEAVY DUTY	5 PSI	100 PSI
HP10000J		HEAVY DUTY with JOUNCE BUMPER	0 PSI* / 5 PSI	100 PSI
HP10068	Large Double Convoluted	HEAVY DUTY	5 PSI	100 PSI
HP10438	Double Convoluted	EXTREME DUTY	5 PSI	100 PSI
HP10438J		EXTREME DUTY with JOUNCE BUMPER	0 PSI* / 5 PSI	100 PSI

** Springs with a jounce bumper can be run at zero PSI when vehicle is unloaded only*

For safe and proper operation, never operate the vehicle over the maximum listed PSI in the air springs. Staying under the pressure limit will ensure maximum air spring life. **Failure in doing so may result in damage to your vehicle and/or a void warranty.**

! It is recommended to check the air pressure in your air springs daily for first couple of days to ensure a leak has not developed.

Air springs are designed to maintain the vehicle’s stock ride height with a load. Do not use the air springs as a means to lift vehicle with no load. This will result in a harsh ride.

SERVICING YOUR VEHICLE WITH AIR SUSPENSION

When lifting the vehicle with a floor jack or hoist on the frame, never allow the air spring to limit the travel of the axle. Try to always jack the vehicle on the axle. Suspending the axle with the air spring limiting the axle travel will damage the air spring and void the air spring warranty.

WARRANTY

See additional warranty included with this kit for details.